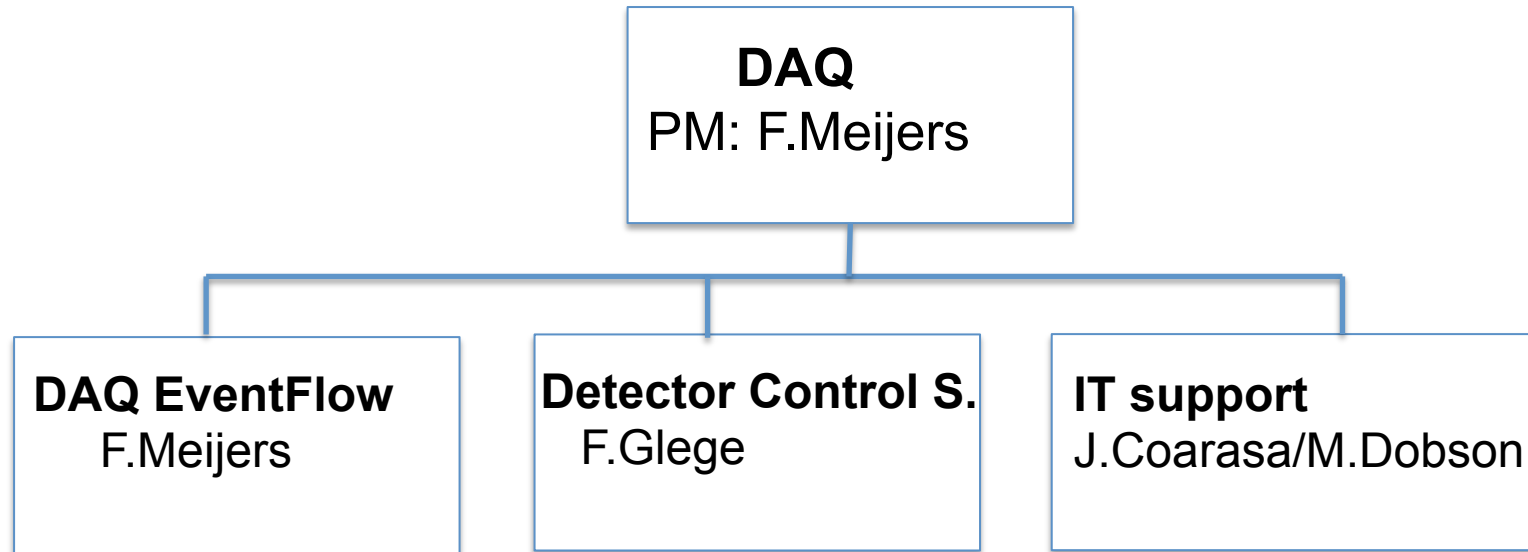




DAQ Organigram 2012



DAQ Office

Resource Planning: F.Meijers
Operation: V.O'Dell, C.Schwick
Technical Coordination: A.Racz

CMS Upgrade Online Coordinator:
C.Schwick
CMS DAQ Upgrade: A.Racz

TriDAS SEB Chair: S.Erhan
TriDAS Conf. Committee: V.O'Dell