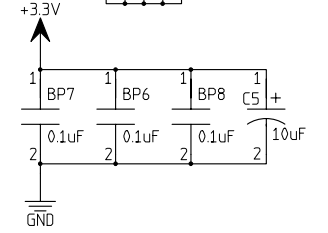
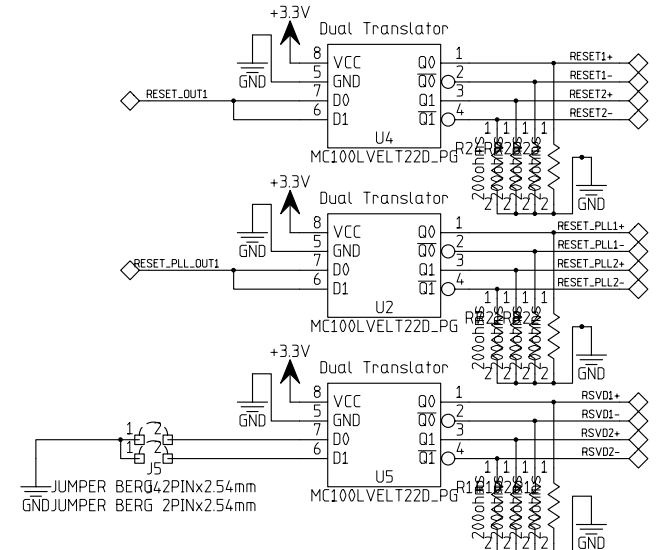
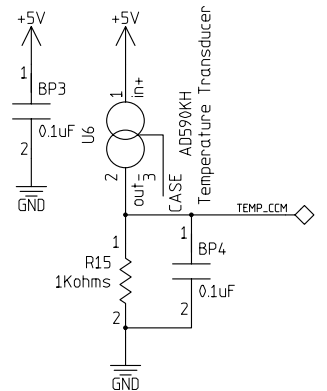
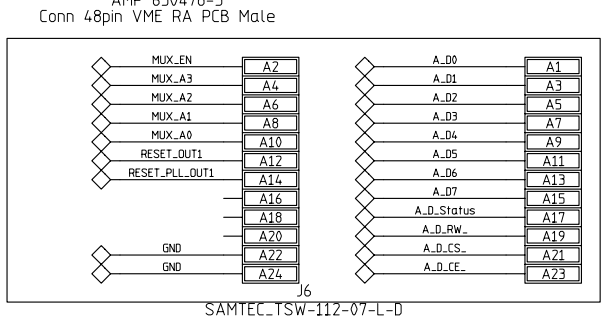
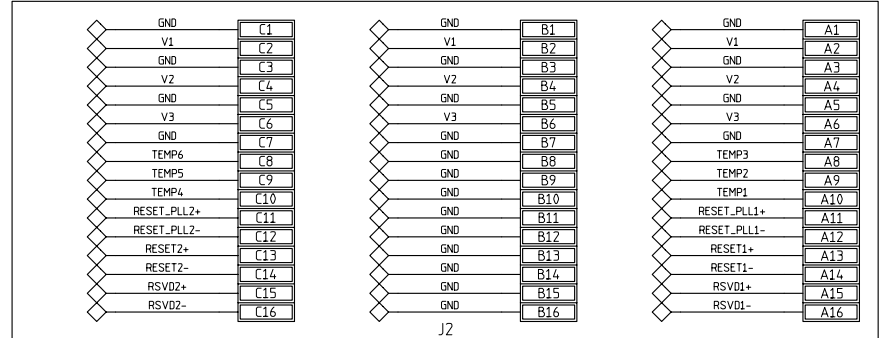
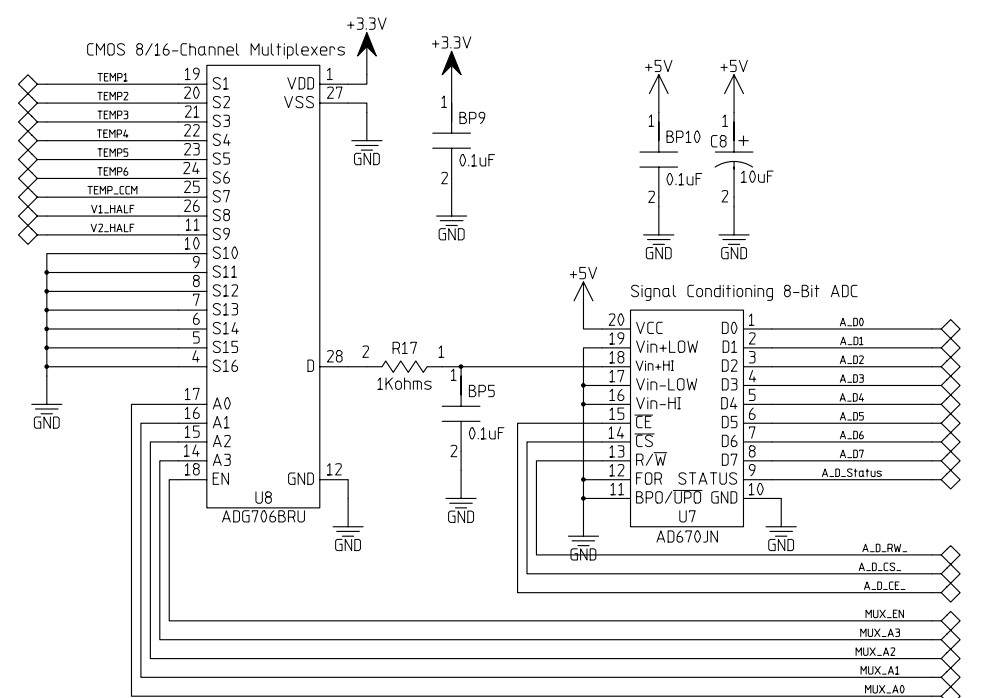
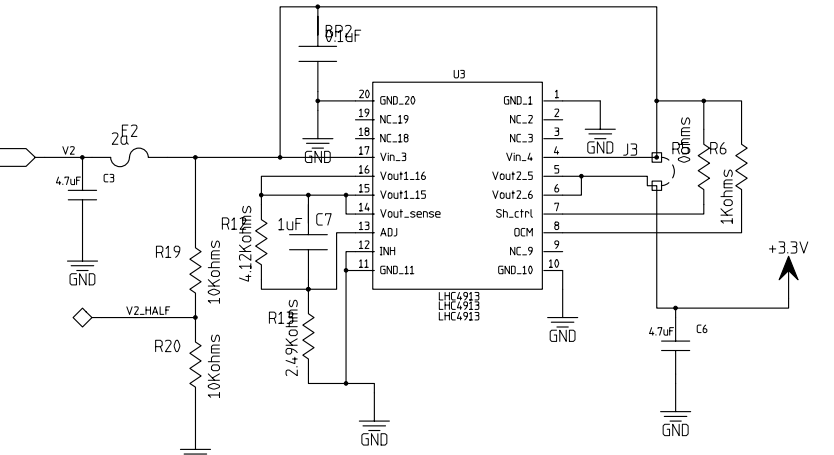
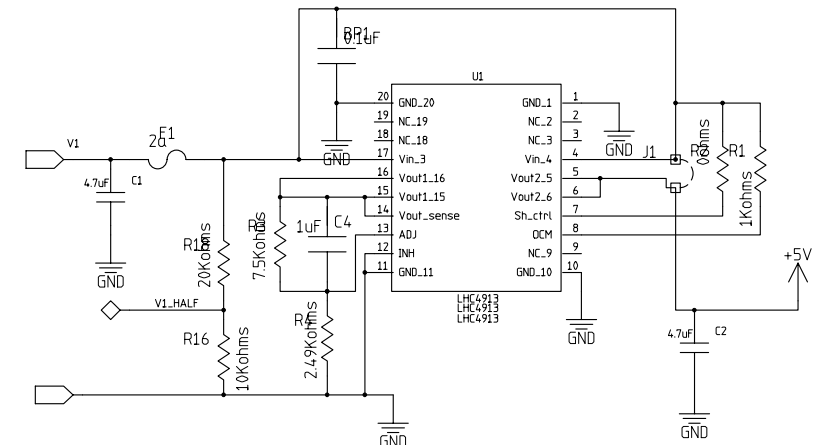


REVISIONS			
REV	DESCRIPTION	DATE	APPROVED



CONTRACT NO.			
APPROVALS	DATE		
DRAWN			
CHECKED			
ISSUED		SIZE	FSCM NO.
		D	
		DWG. NO.	
		REV	A
MODIFIED	11.24.06 AM 07/22/2002	PAGE 01	of 01
		HierPage 01 HierPage 01 HierPage 01	