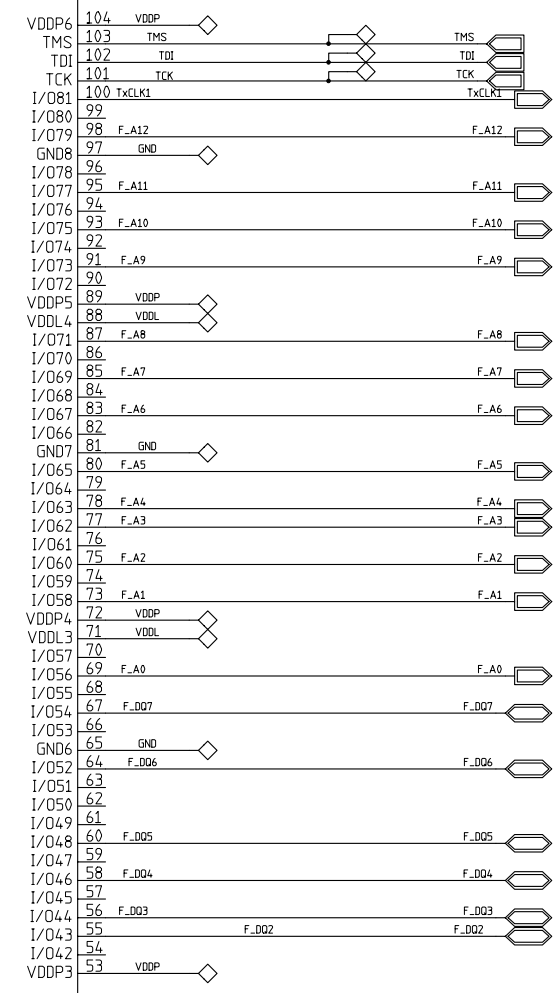
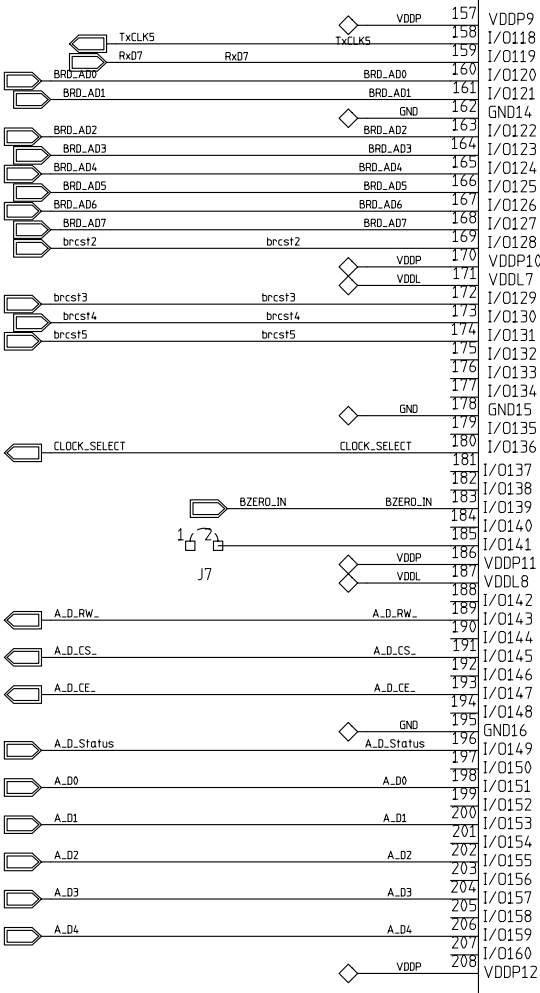
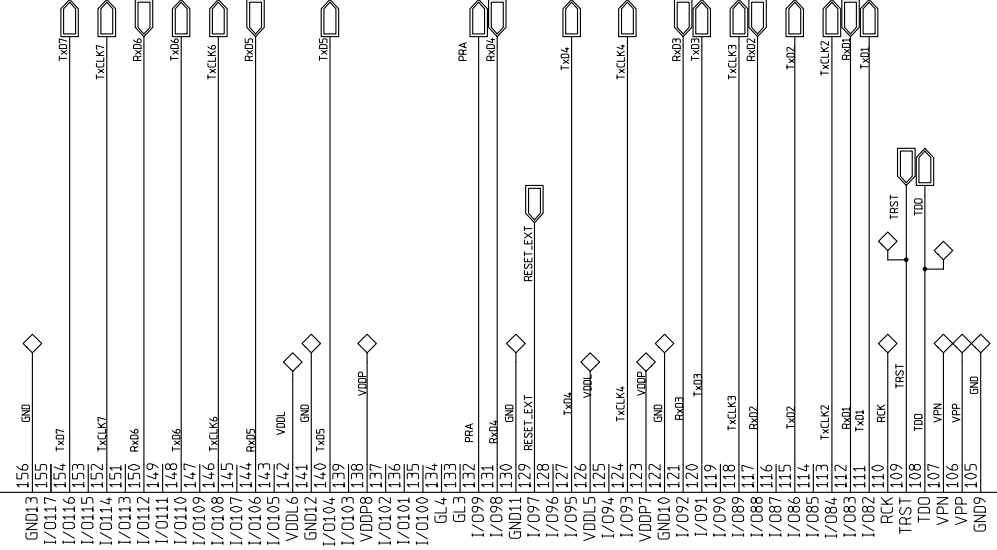
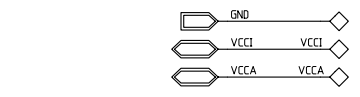
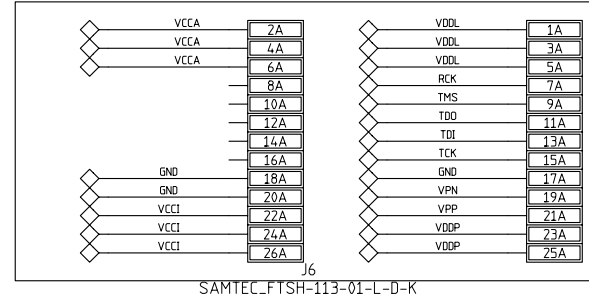
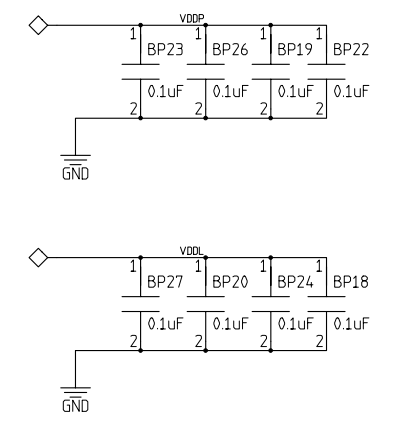


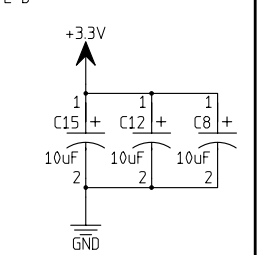
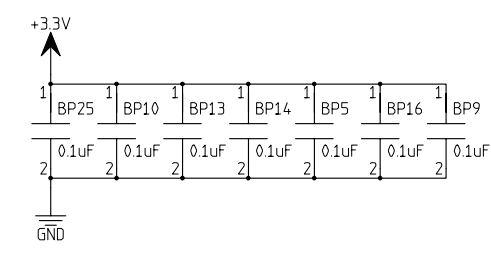
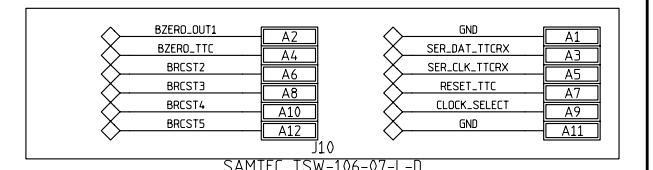
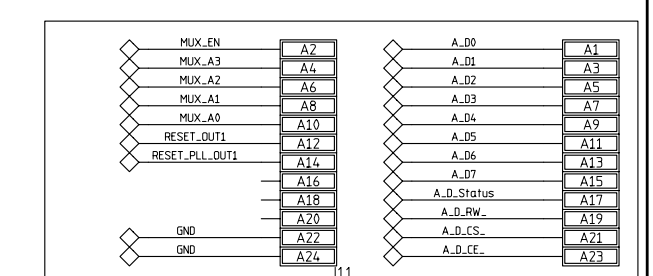
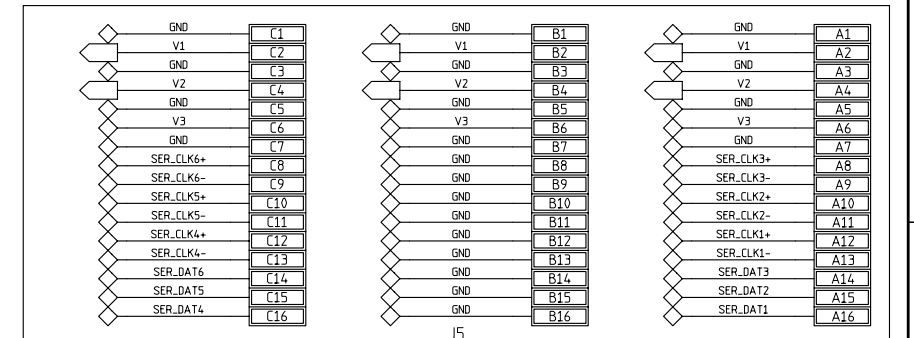
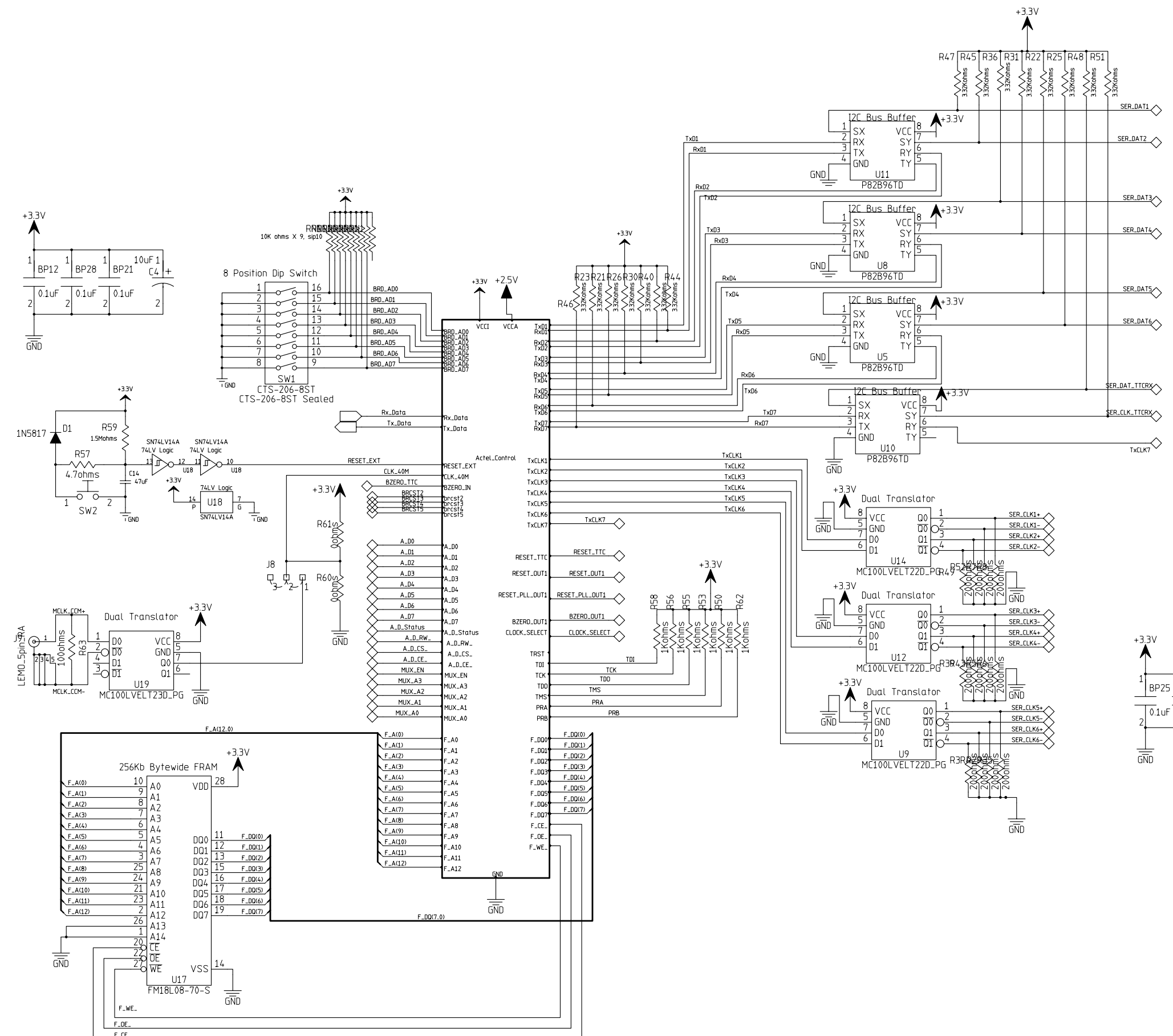
MODIFIED 02:27:02 PM 06/14/2002			
UNLESS OTHERWISE SPECIFIED		ORIGINATOR	
FRACTIONS	DECIMALS	ANGLES	DRAWN
			CHECKED
1. BREAK ALL SHARP EDGES 1/64 MAX.		APPROVED	
2. DO NOT SCALE DWG.		USED ON	
3. DIMENSIONING IN ACCORD WITH ANSI Y14.5 STD'S.		MATERIAL	
✓ MAX. ALL MACHINED SURFACES			
 Fermi National Accelerator Laboratory United States Department of Energy			
D:\ANGIE.WORK\ccm_proto1_proasic.v2\ccm_proto1_proasic.v2.prj			
SIZE	SCALE	FILMED	DRAWING NUMBER
D	1:1		PAGE 01 of 02
			REV A



Actel ProASIC 500K Family
U16
A500K130



REVISIONS			
REV	DESCRIPTION	DATE	APPROVED



CONTRACT NO.		DATE	
APPROVALS	DATE		
DRAWN			
CHECKED			
ISSUED		SIZE FSCM NO.	DWG. NO.
MODIFIED			
02:29:30 PM 06/14/2002		PAGE 02 of 02	HierPage 01 HierPage 01 HierPage 01