

8

7

6

5

4

3

DWG. NO.

SH.

REV.

1

REVISIONS

REV	DESCRIPTION	DATE	APPROVED

D

D

C

C

B

B

A

A

TestBeam 2003
Clock and Control Module
Board 1 - Serial Communication

CONTRACT NO.			
APPROVALS	DATE		
DRAWN			
CHECKED			
ISSUED		SIZE	REV
		D	A
MODIFIED		FSCM NO.	DWG. NO.
11:09:54 AM 01/31/2003			
PAGE 03 of 03		HierPage 03 of 03	

8

7

6

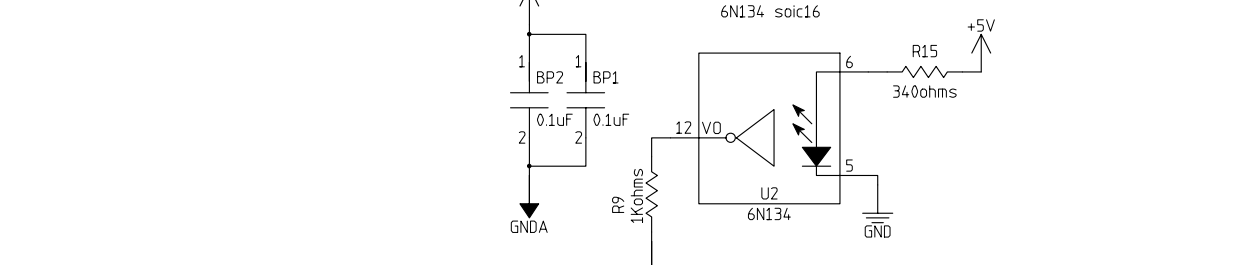
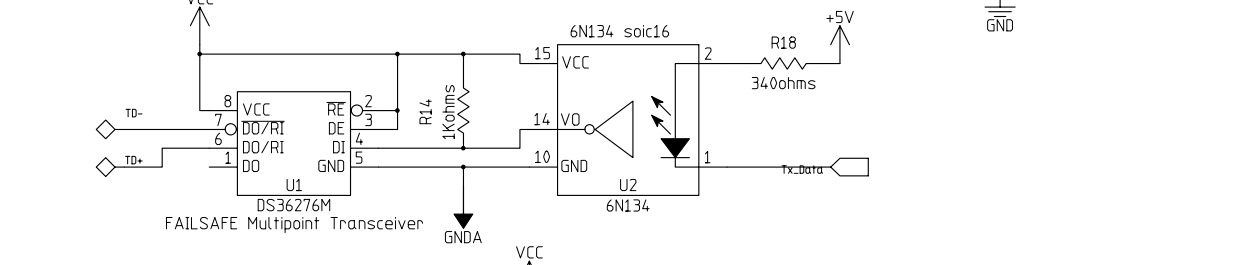
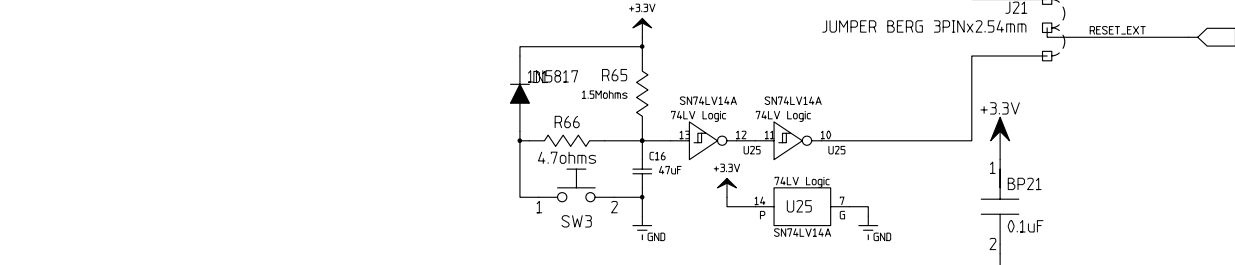
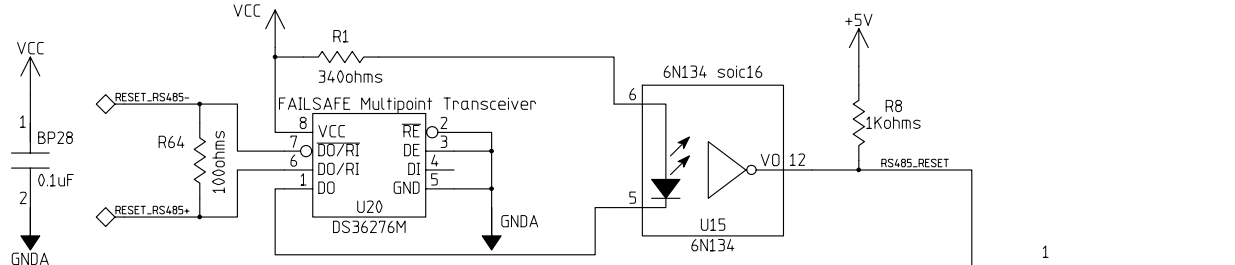
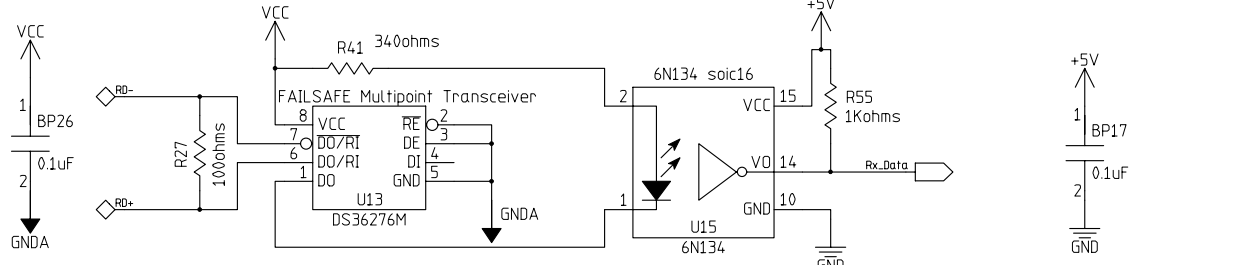
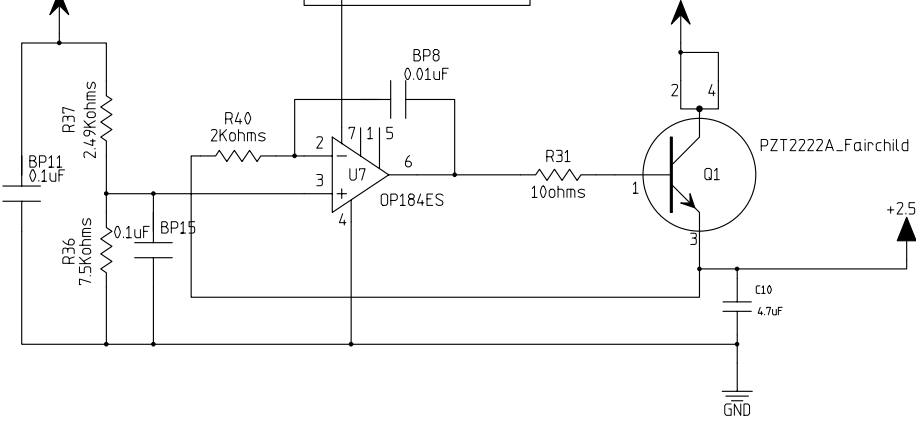
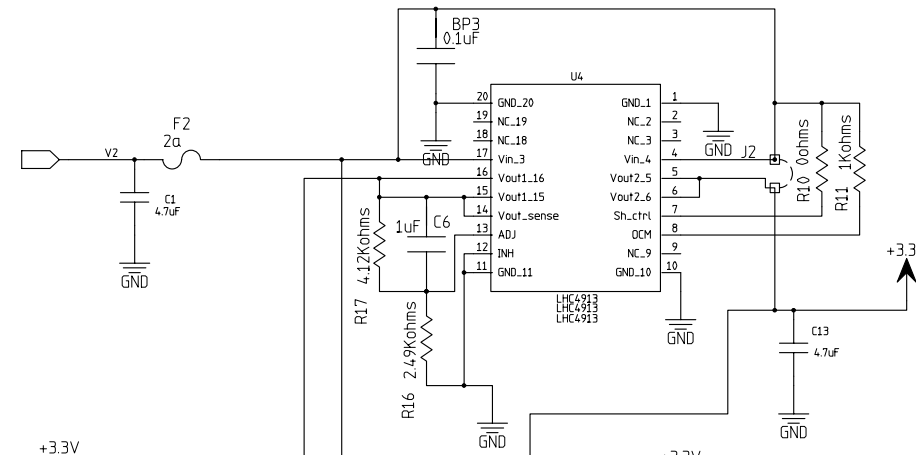
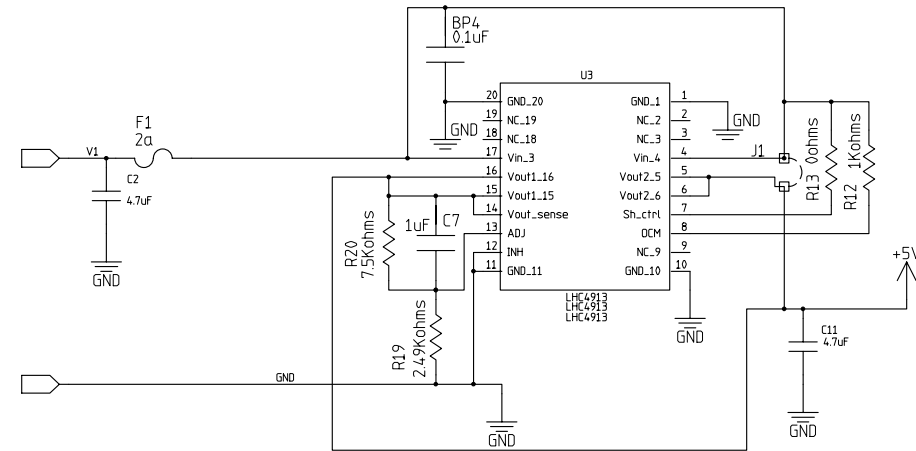
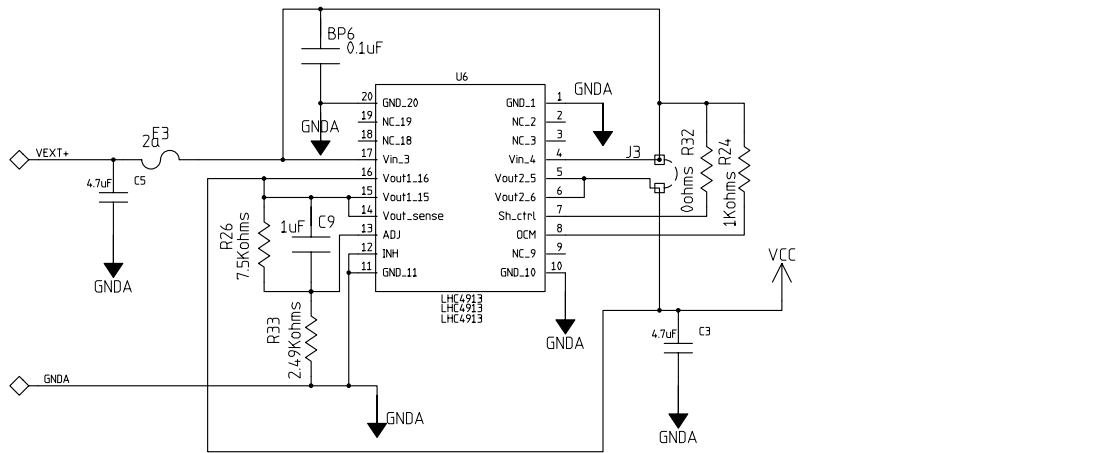
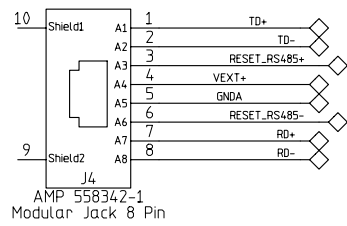
5

4

3

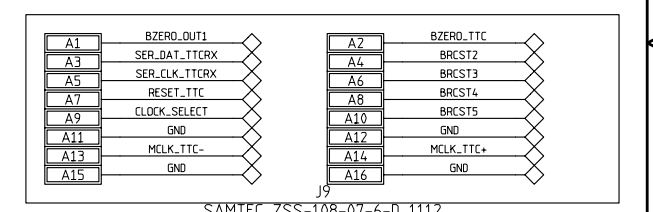
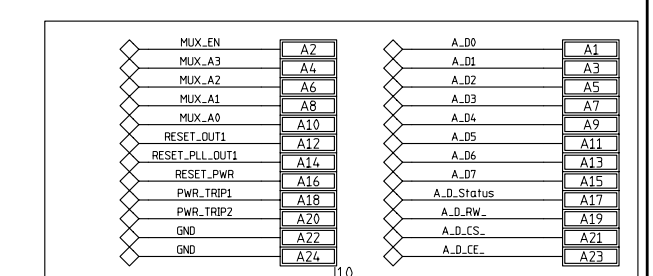
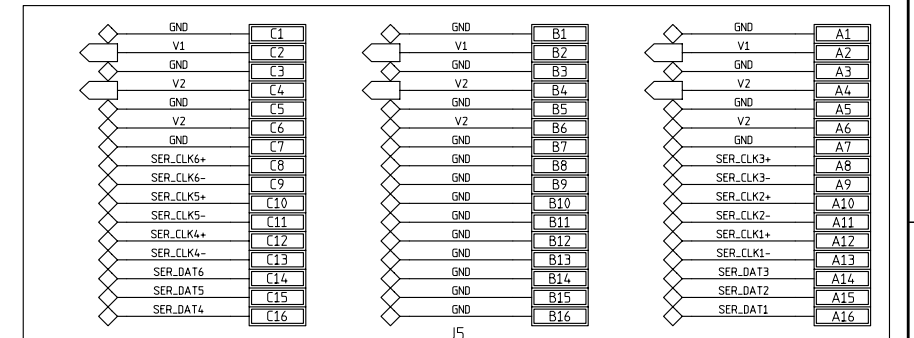
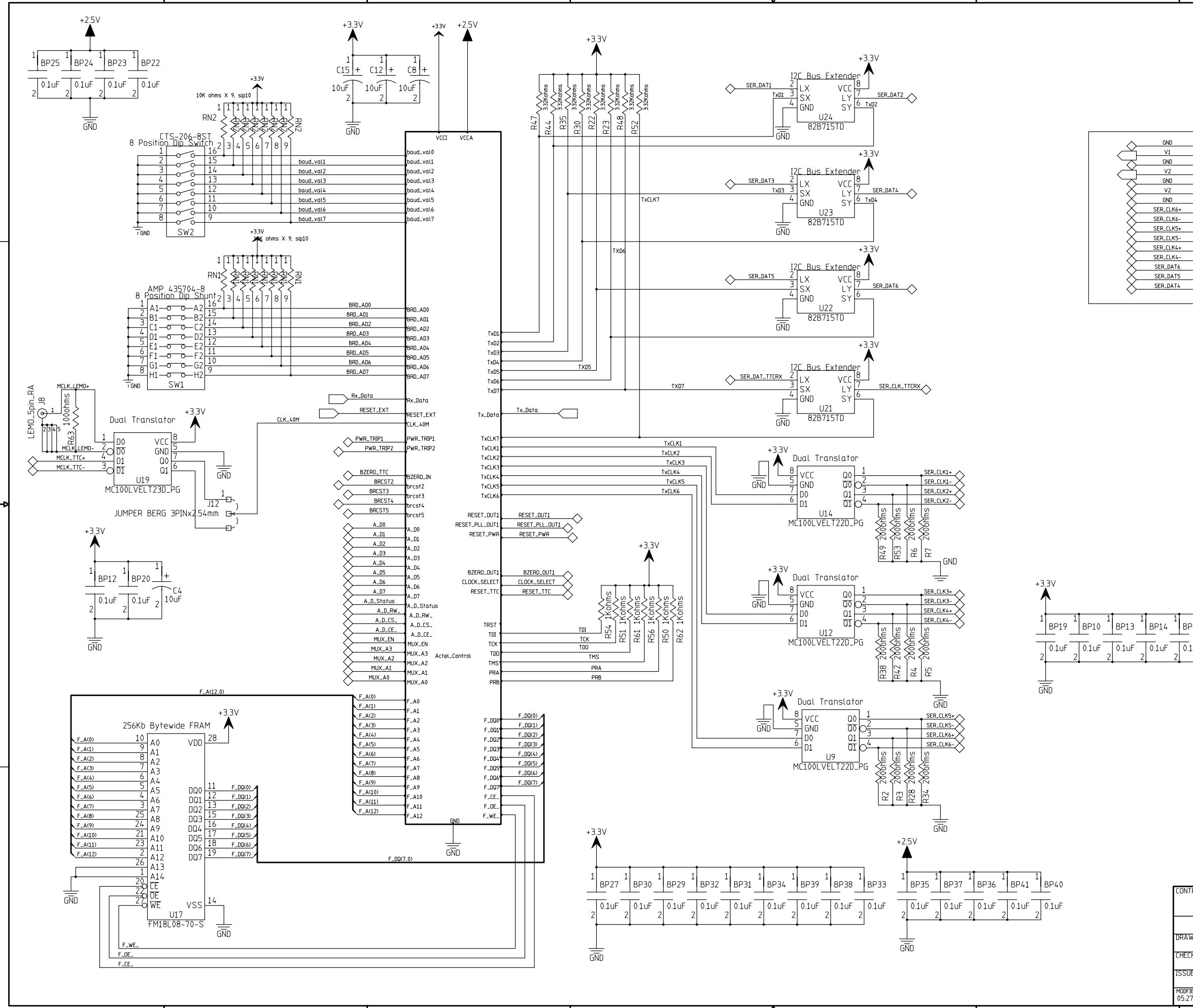
2

1

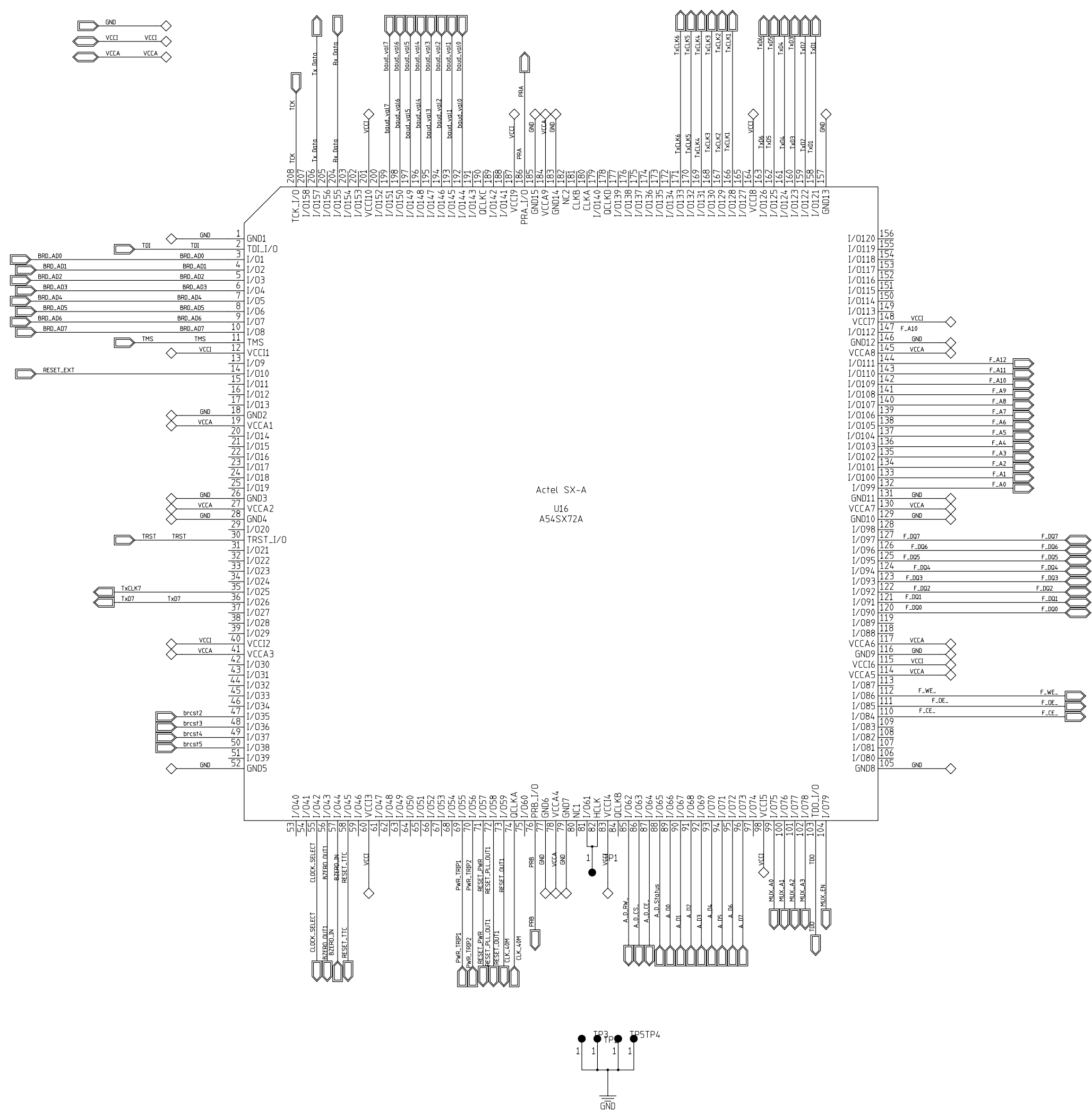


MODIFIED 05:28:09 PM 02/17/2003		ORIGINATOR	
UNLESS OTHERWISE SPECIFIED		DRAWN	
FRACTIONS	DECIMALS	ANGLES	CHECKED
1. BREAK ALL SHARP EDGES 1/64 MAX.		APPROVED	
2. DO NOT SCALE DWG.		USED ON	
3. DIMENSIONING IN ACCORD WITH ANSI Y14.5 STD'S.		MATERIAL	
✓ MAX. ALL MACHINED SURFACES			
 Fermi National Accelerator Laboratory United States Department of Energy			
D:\CCM_TB2003\ccm_proto1_v3\ccm_proto1_v3prj			
SIZE	SCALE	FILMED	DRAWING NUMBER
D	1:1		PAGE 01 of 02
			REV A

REVISIONS			
REV	DESCRIPTION	DATE	APPROVED



CONTRACT NO.			
APPROVALS	DATE		
DRAWN			
CHECKED			
ISSUED		SIZE	FSCM NO.
MODIFIED		DWG. NO.	REV
05:27:18 PM 02/17/2003			A
PAGE 02	of 02	HierPage 01HierPage 01HierPage 01	



8

7

6

5

4

3

DWG. NO.

SH.

REV.

1

REVISIONS

REV	DESCRIPTION	DATE	APPROVED

TestBeam 2003
 Clock and Control Module
 Board 2 - Reset/Temperature

D

D

C

C

B

B

A

A

CONTRACT NO.			
APPROVALS	DATE		
DRAWN			
CHECKED			
ISSUED		SIZE	FSCM NO.
		D	
		DWG. NO.	REV
			A
MODIFIED		PAGE	of
11:09:54 AM 01/31/2003		03	03
		HierPage	of HierPage

8

7

6

5

4

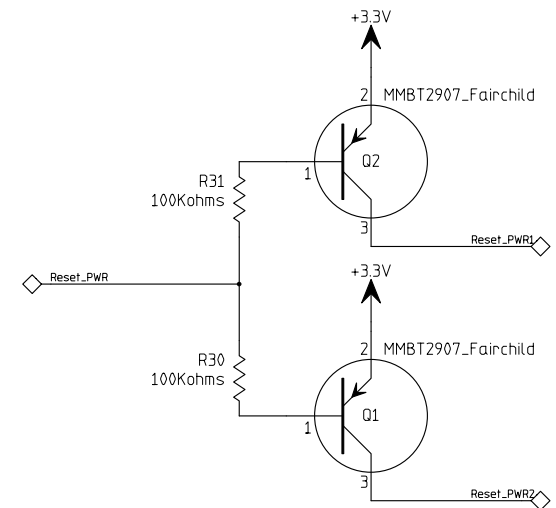
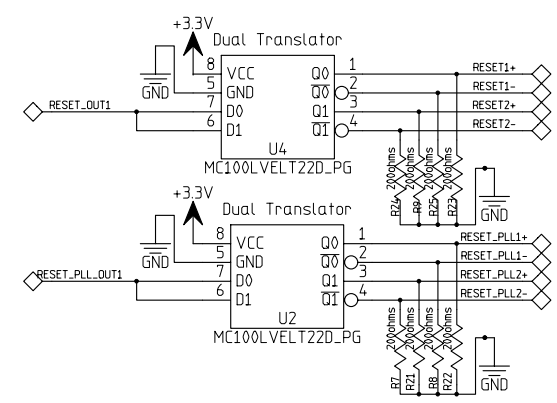
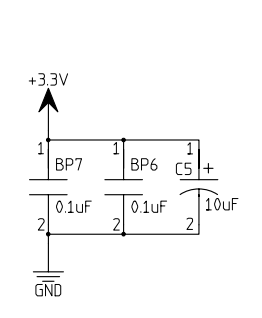
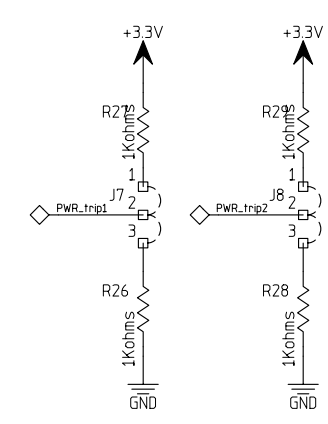
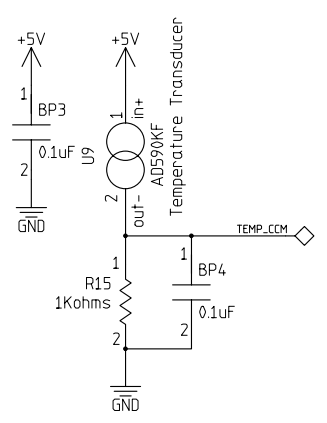
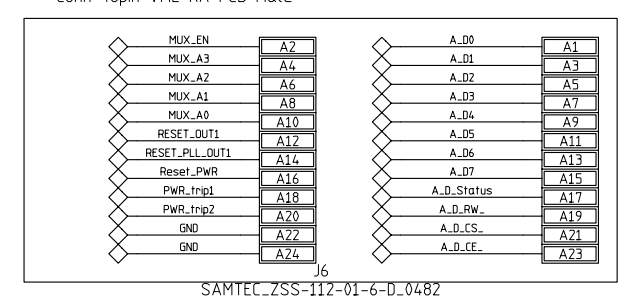
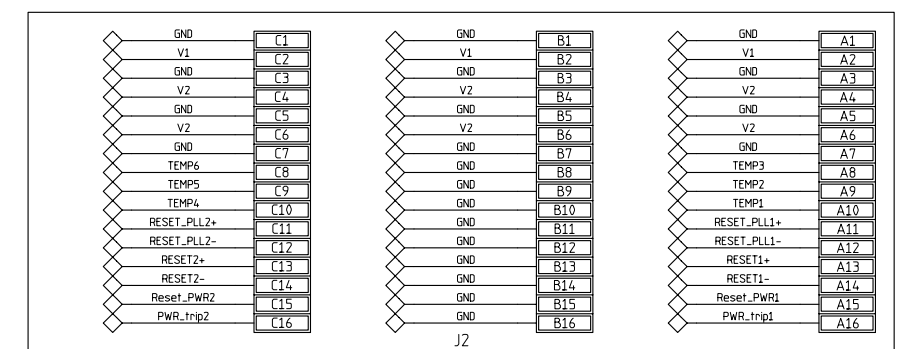
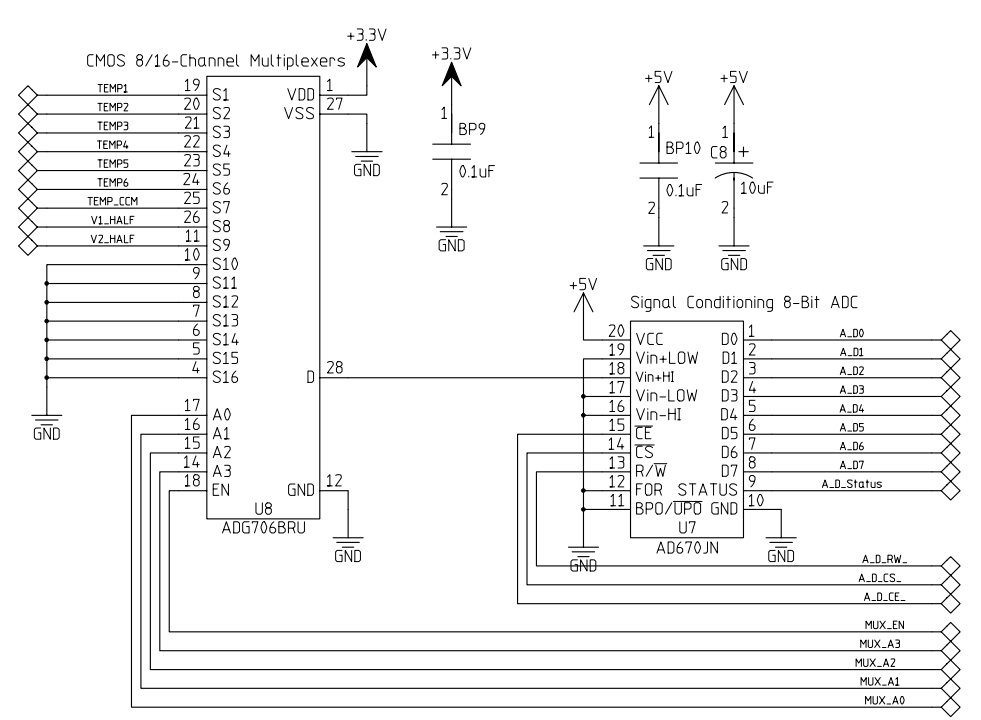
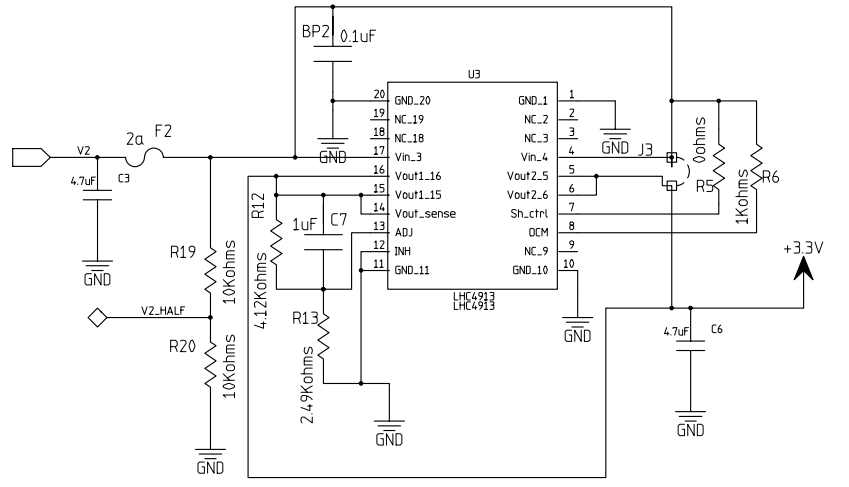
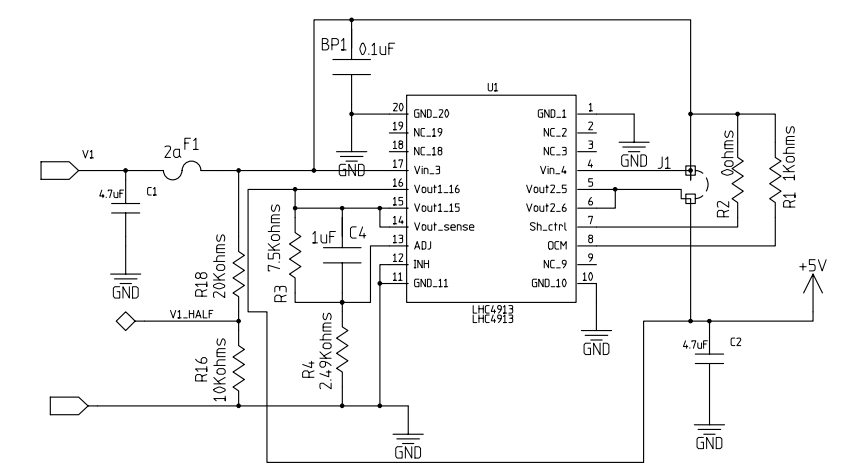
3

2

D:\CCM_TB2003\ccm_prot04_v3\ccm_prot04_v3.prj

1

REVISIONS			
REV	DESCRIPTION	DATE	APPROVED



CONTRACT NO.			
APPROVALS	DATE		
DRAWN			
CHECKED			
ISSUED		SIZE FSCM NO.	DWG. NO.
MODIFIED	08:04:55 PM 01/23/2003	D	
PAGE 01 of 01		HierPage	of HierPage

8

7

6

5

4

3

DWG. NO.

SH.

REV.

1

REVISIONS

REV	DESCRIPTION	DATE	APPROVED

TestBeam 2003
 Clock and Control Module
 Board 3 - B0/Clocks

D

D

C

C

B

B

A

A

CONTRACT NO.			
APPROVALS	DATE		
DRAWN			
CHECKED			
ISSUED		SIZE	REV
		D	A
MODIFIED		FSCM NO.	DWG. NO.
11:09:54 AM 01/31/2003			
PAGE 03 of 03		HierPage 03 of 03	

8

7

6

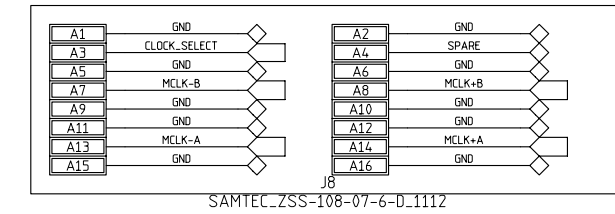
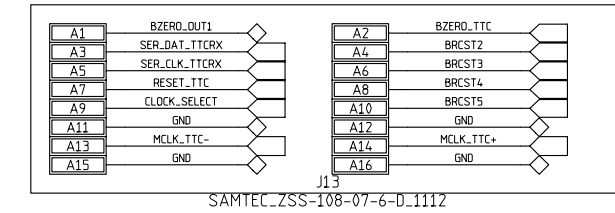
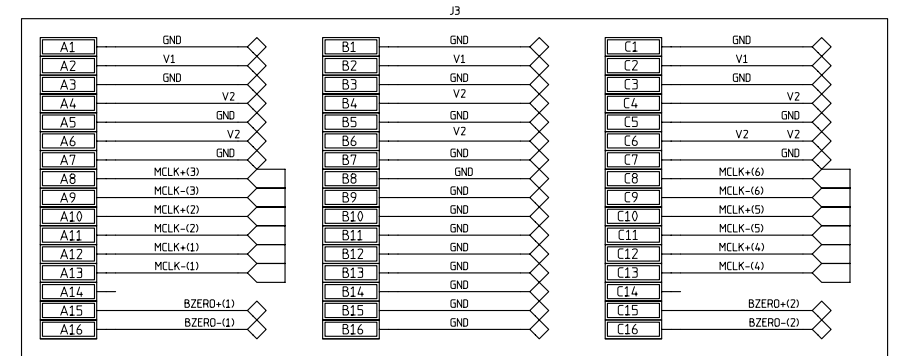
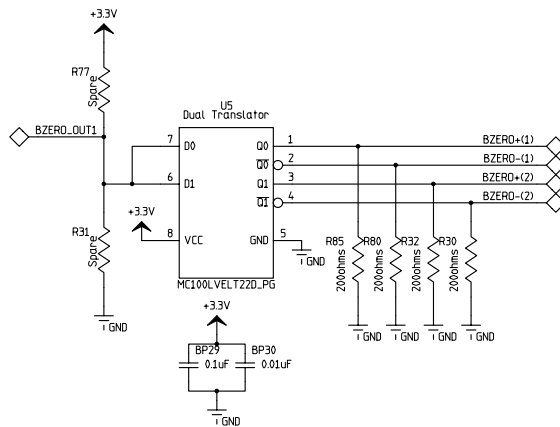
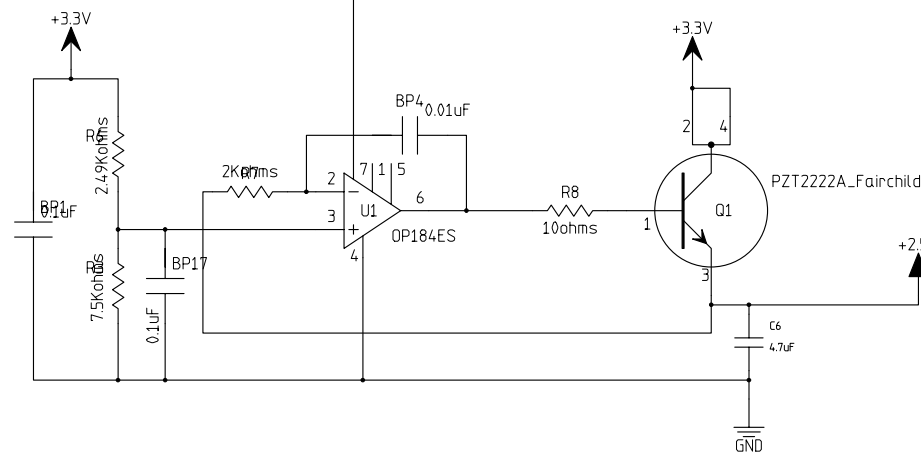
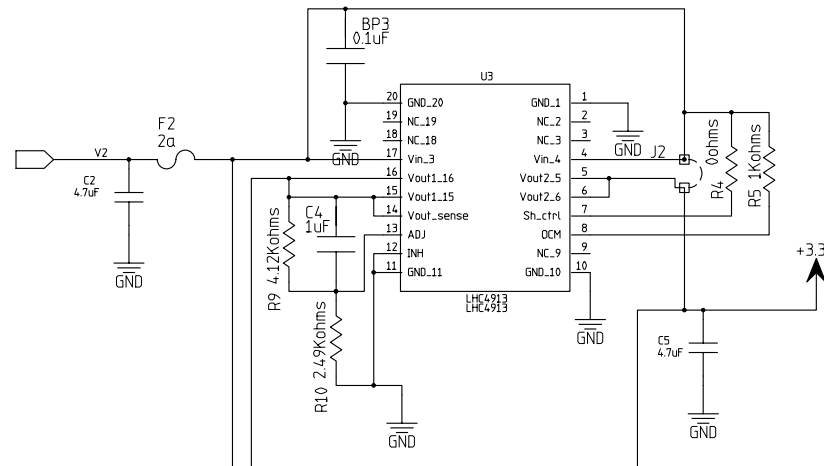
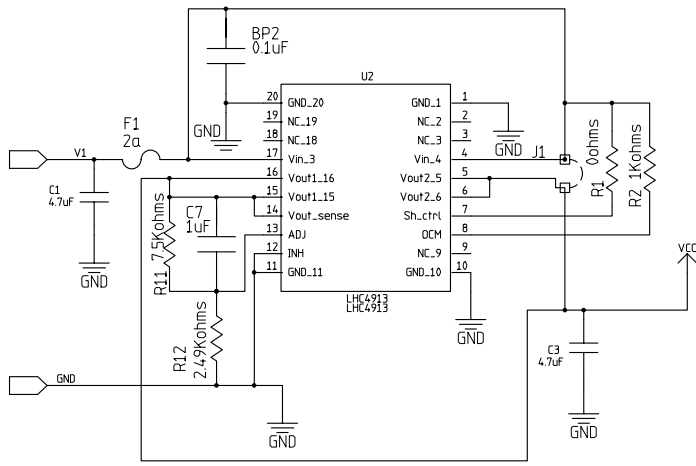
5

4

3

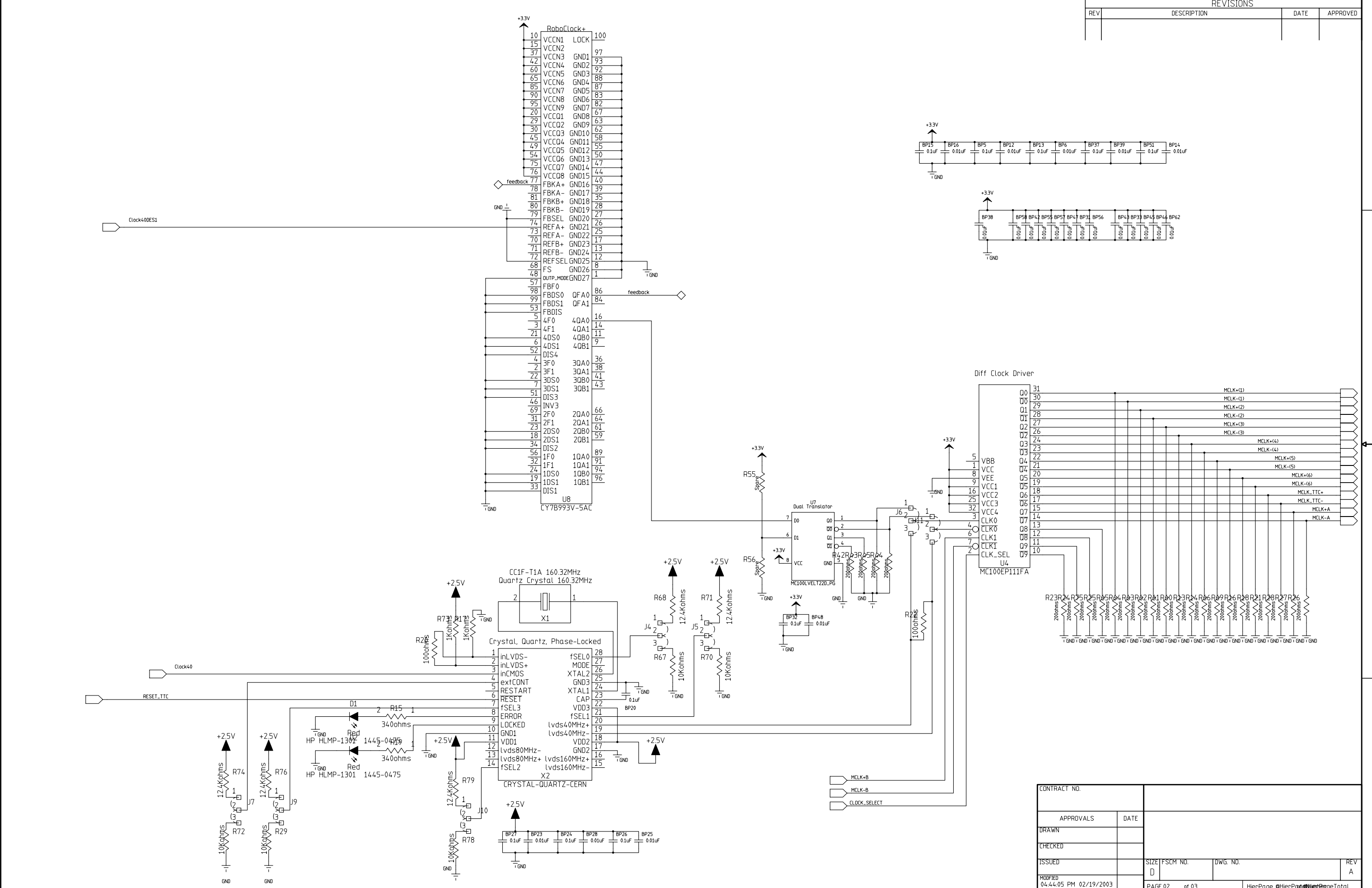
2

1



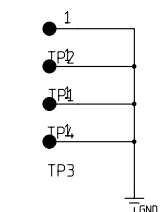
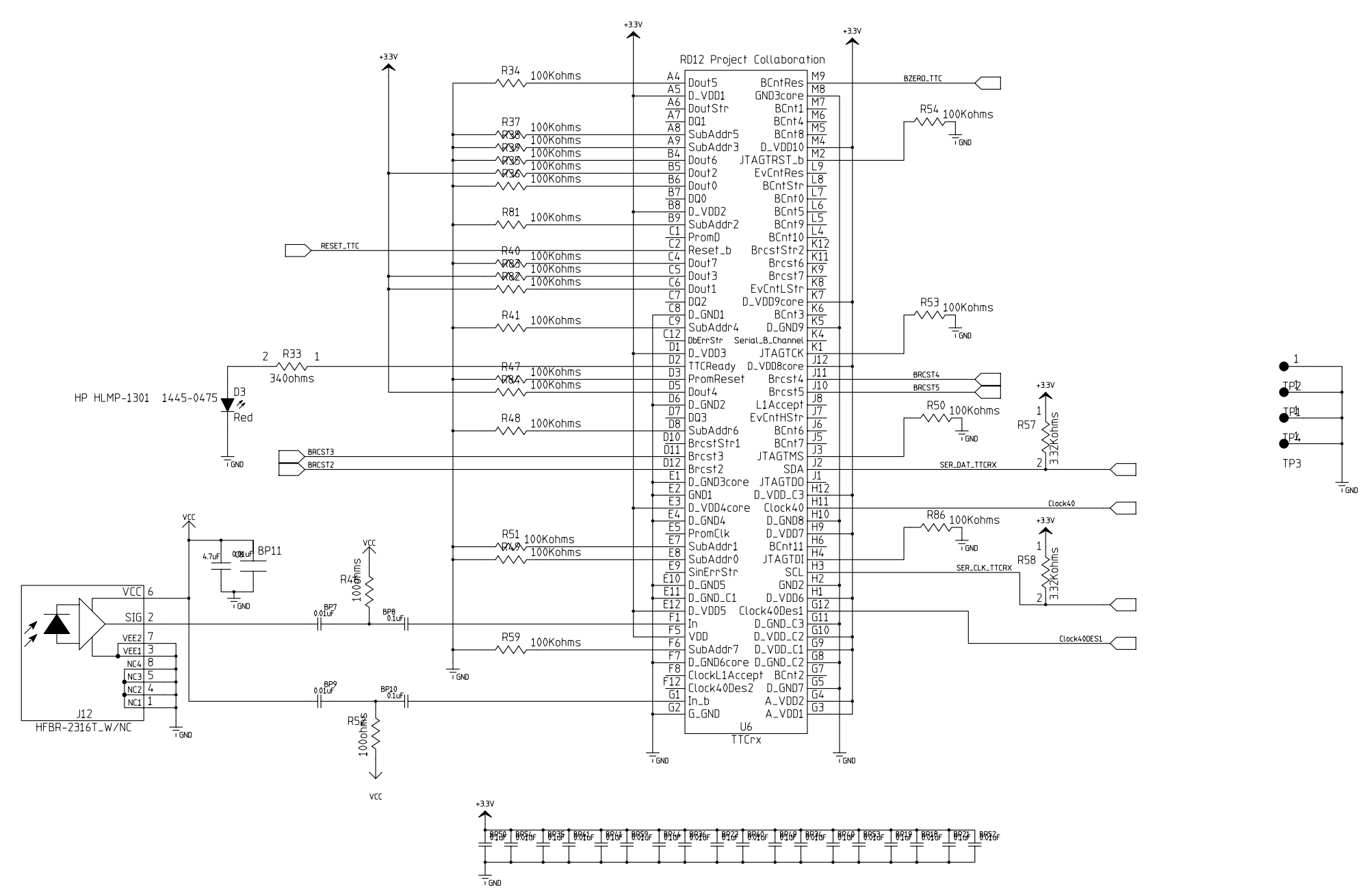
MODIFIED 04.44.05 PM02/19/2003			
UNLESS OTHERWISE SPECIFIED		ORIGINATOR	
FRACTIONS	DECIMALS	ANGLES	DRAWN
			CHECKED
1. BREAK ALL SHARP EDGES 1/64 MAX.		APPROVED	
2. DO NOT SCALE DWG.		USED ON	
3. DIMENSIONING IN ACCORD WITH ANSI Y14.5 STD'S.		MATERIAL	
MAX. ALL MACHINED SURFACES			
 Fermi National Accelerator Laboratory United States Department of Energy D:\CCM_TB2003\ccm_proto3.v3\ccm_proto3.v3prj			
SIZE	SCALE	FILMED	DRAWING NUMBER
D	1:1		PAGE 01 of 03
			REV A

REVISIONS			
REV	DESCRIPTION	DATE	APPROVED



CONTRACT NO.			
APPROVALS	DATE		
DRAWN			
CHECKED			
ISSUED		SIZE	FSCM NO.
		D	
MODIFIED		DWG. NO.	REV
04:44:05 PM 02/19/2003			A
PAGE 02 of 03		HierPage 02 HierPage 03 HierPage 03	

REVISIONS			
REV	DESCRIPTION	DATE	APPROVED



CONTRACT NO.			
APPROVALS	DATE		
DRAWN			
CHECKED			
ISSUED		SIZE	FSCM NO.
		DWG. NO.	REV
			A
MODIFIED	02:47:37 PM 04/16/2003	PAGE 03	of 03
		HierPage 03HierPage 03HierPage 03	

8

7

6

5

4

3

DWG. NO.

SH.

REV.

1

REVISIONS

REV	DESCRIPTION	DATE	APPROVED

TestBeam 2003
 Clock and Control Module
 Board 4 - Clocks

D

D

C

C

B

B

A

A

CONTRACT NO.			
APPROVALS	DATE		
DRAWN			
CHECKED			
ISSUED		SIZE	FSCM NO.
		D	
		DWG. NO.	REV
			A
MODIFIED		PAGE	of
11:09:54 AM 01/31/2003		03	03
		HierPage	of HierPage

8

7

6

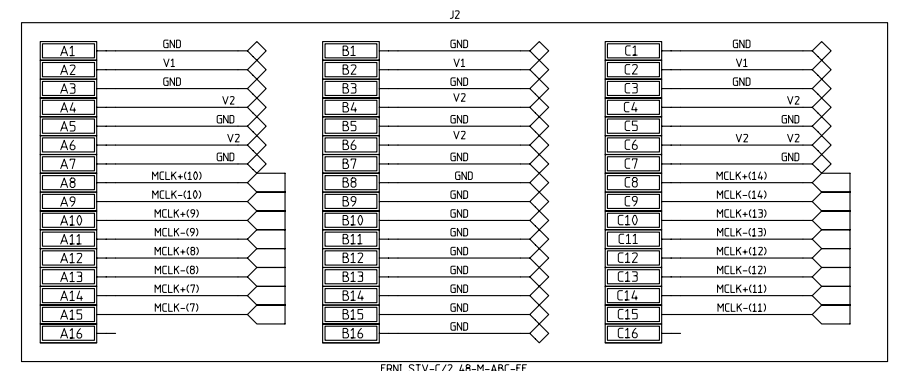
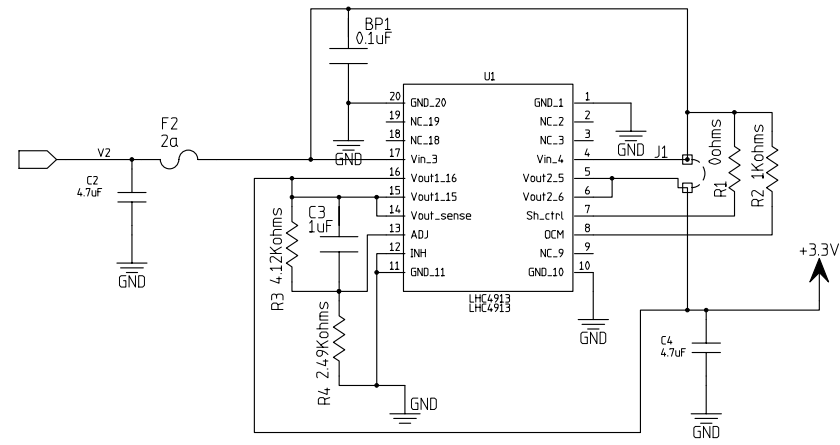
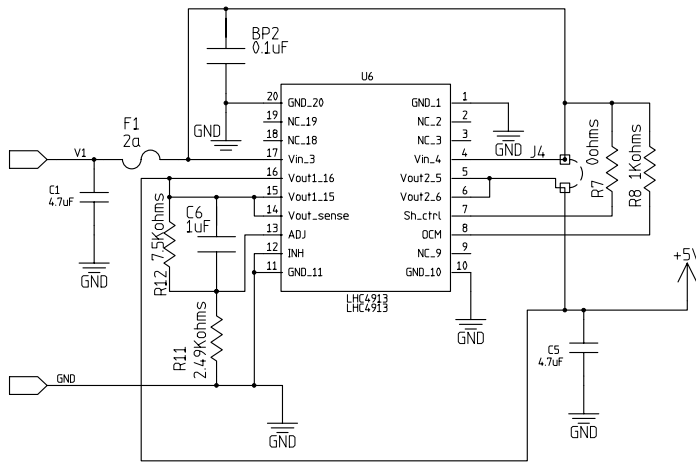
5

4

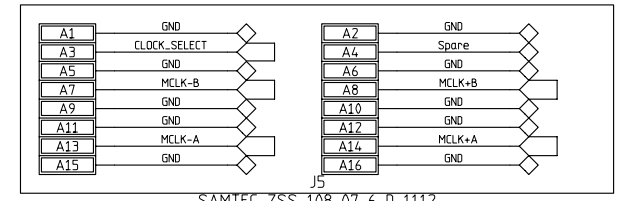
3

2

1



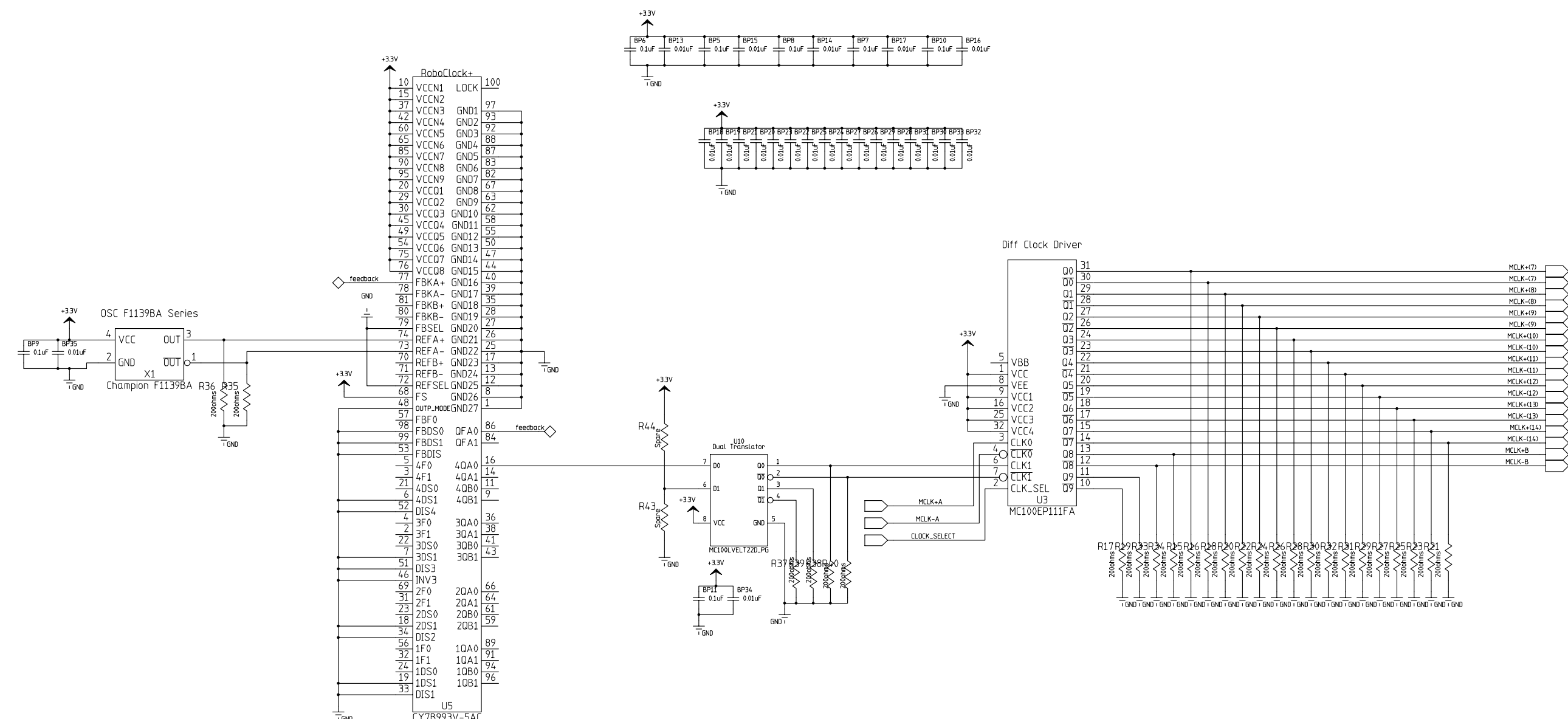
ERNE STV-C/2 48-M-ABC-EE
ERNE STV-C/2 48-M-ABC-EE



SAMTEC_ZSS-108-07-6-0-1112

MODIFIED 11:45:30 AM 02/20/2003			
UNLESS OTHERWISE SPECIFIED		ORIGINATOR	
FRACTIONS	DECIMALS	ANGLES	DRAWN
			CHECKED
1. BREAK ALL SHARP EDGES 1/64 MAX.		APPROVED	
2. DO NOT SCALE DWG.		USED ON	
3. DIMENSIONING IN ACCORD WITH ANSI Y14.5 STD'S.		MATERIAL	
✓ MAX. ALL MACHINED SURFACES			
 Fermi National Accelerator Laboratory United States Department of Energy			
D:\CCM_TB2003\ccm_proto4_v3\ccm_proto4_v3prj			
SIZE	SCALE	FILMED	DRAWING NUMBER
D	1:1		PAGE 01 of 03
			REV A

REVISIONS			
REV	DESCRIPTION	DATE	APPROVED



CONTRACT NO.			
APPROVALS	DATE		
DRAWN			
CHECKED			
ISSUED		SIZE	FSCM NO.
		DWG. NO.	REV
			A
MODIFIED	11:46:48 AM 02/20/2003	PAGE 02	of 03
		HierPage 02 HierPage 03 HierPage 04 HierPage 05	