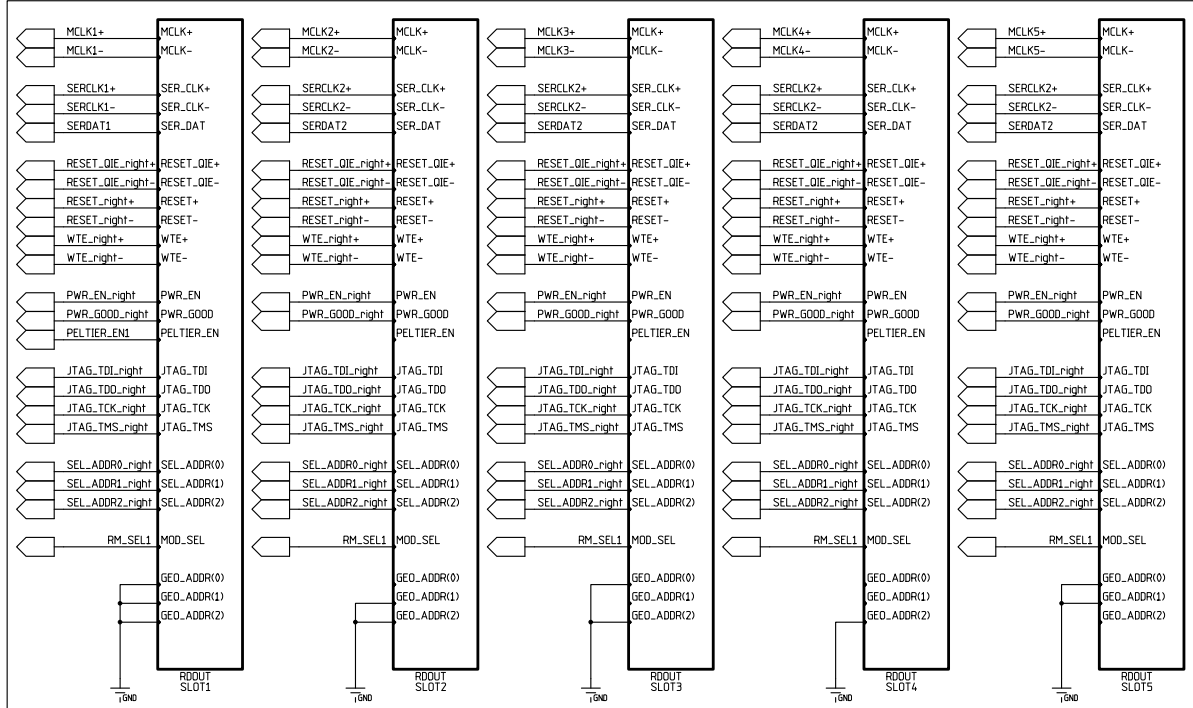
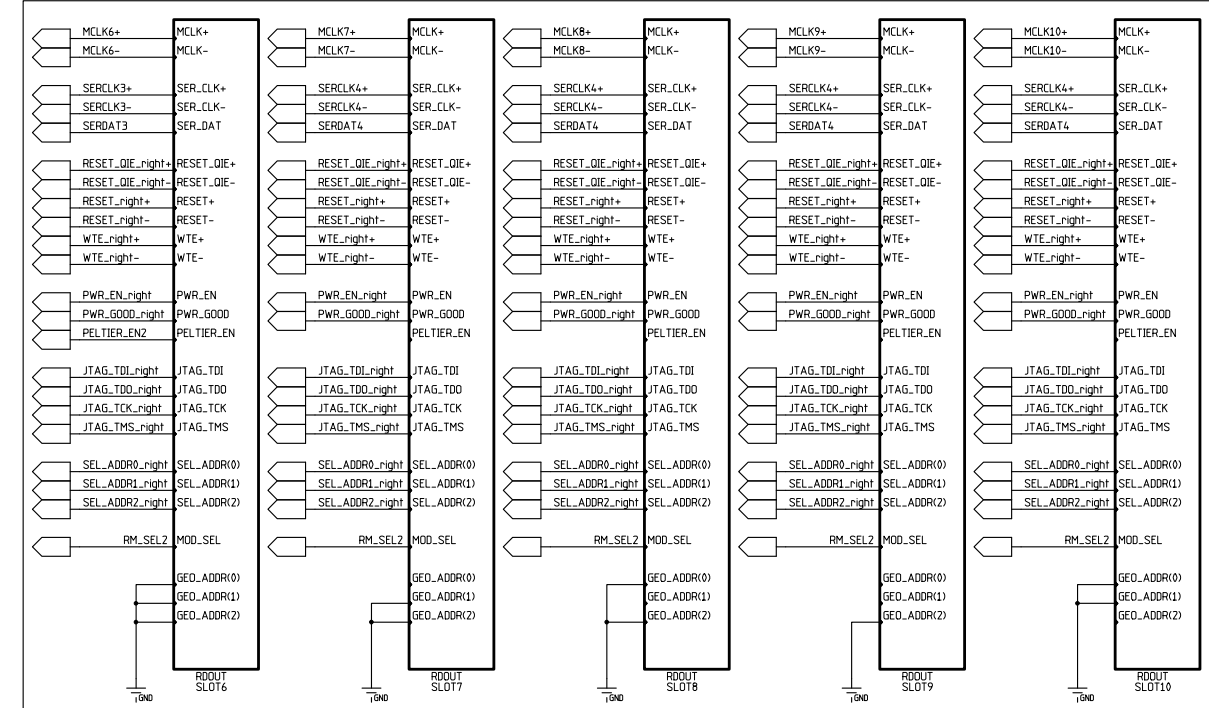


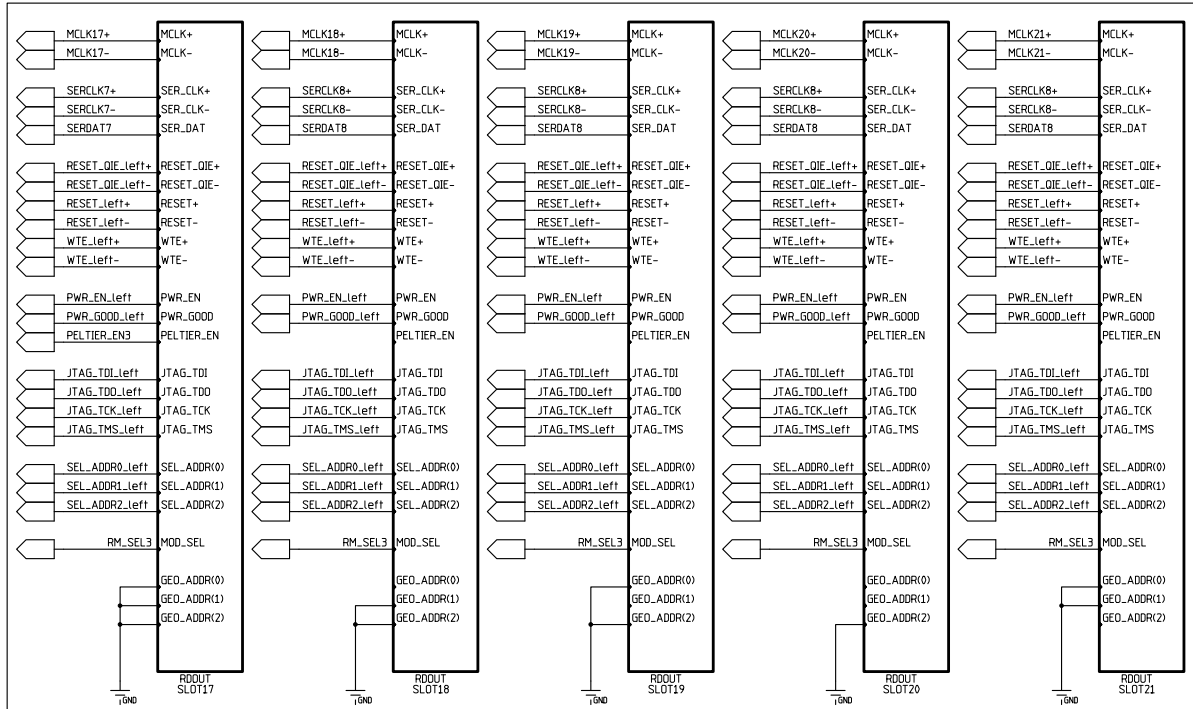
REVISIONS			
REV	DESCRIPTION	DATE	APPROVED



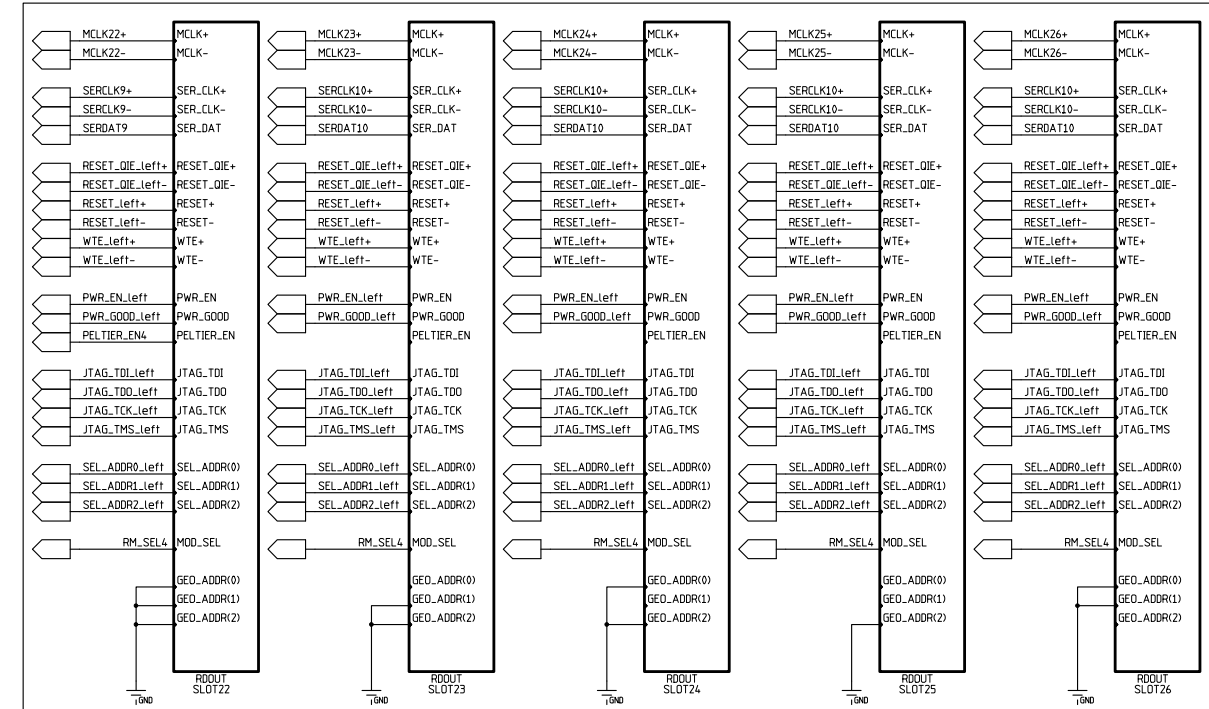
RM4



RM3



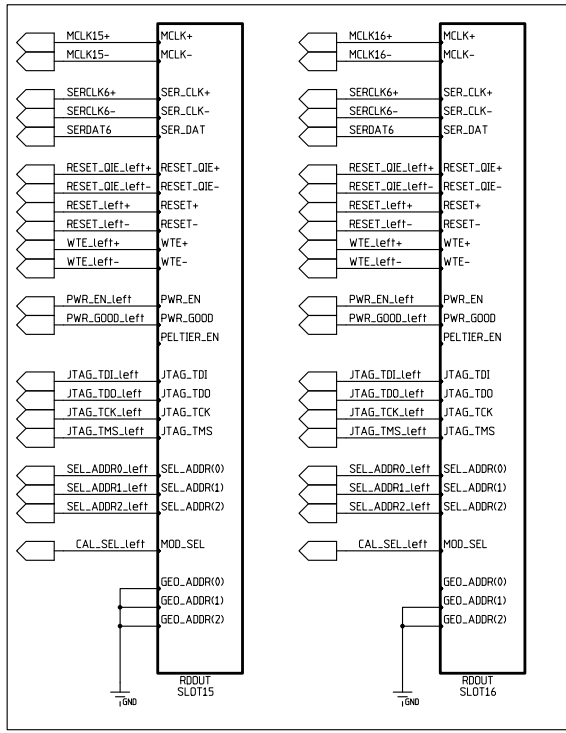
RM2



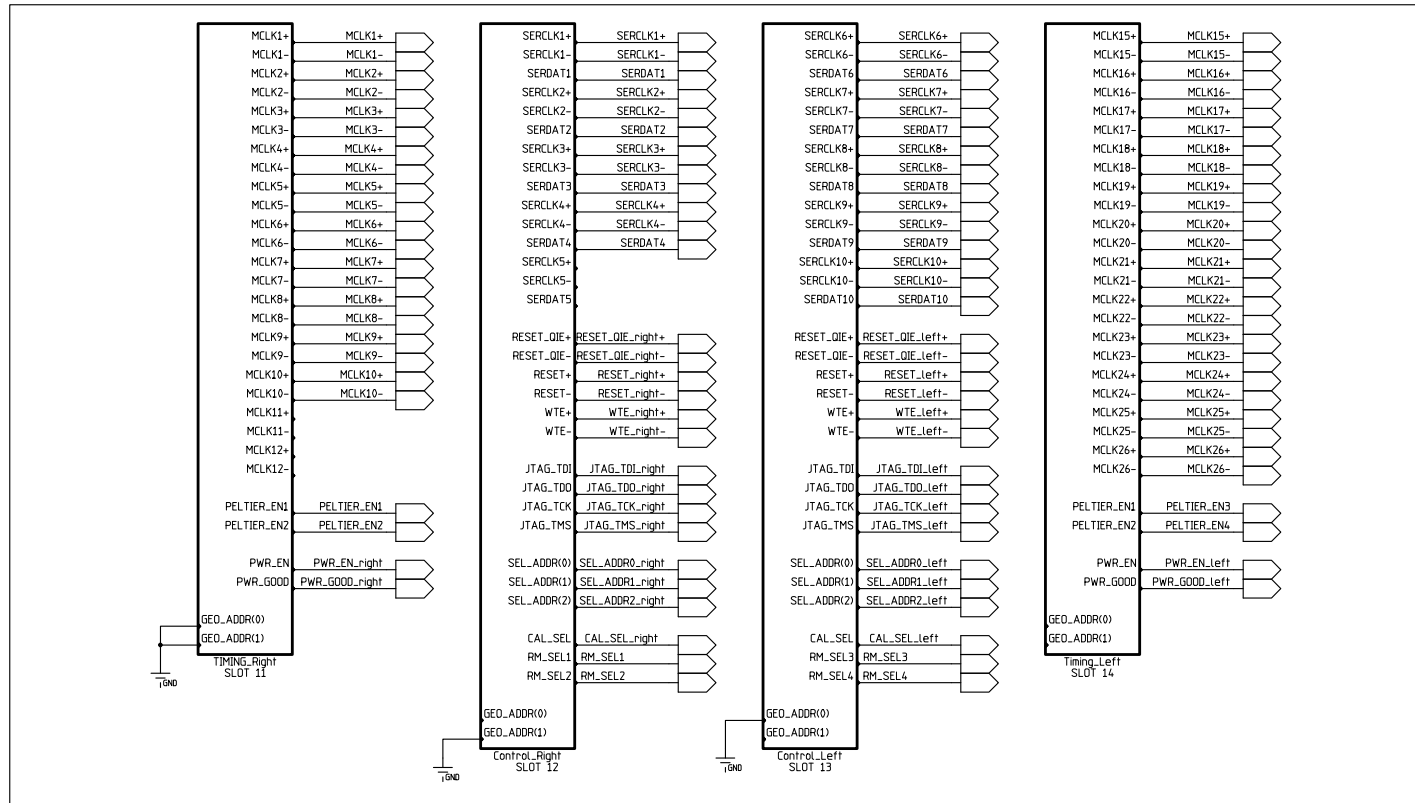
RM1

CONTRACT NO.		Fermi National Accelerator Laboratory	
APPROVALS	DATE	US CMS HCAL HE Backplane Upgrade - Phase2 Top Level Schematic	
DRAWN T. M. Shaw	8/12/2014		
CHECKED			
ISSUED		SIZE FSCM NO.	DWG. NO. ED-172299
		SCALE	SHEET

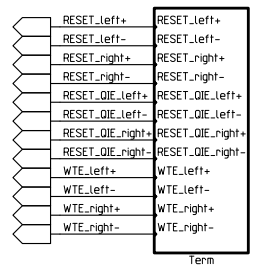
REVISIONS			
REV	DESCRIPTION	DATE	APPROVED



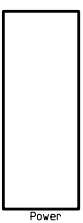
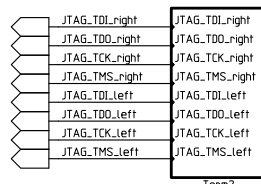
CALIBRATION



ngCCM



TERMINATIONS



POWER

CONTRACT NO.			
APPROVALS	DATE		
DRAWN			
CHECKED			
ISSUED		SIZE FSCM NO.	DWG. NO.
		SCALE	SHEET

8

7

6

5

4

3

DWG. NO.

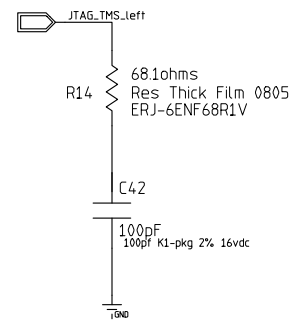
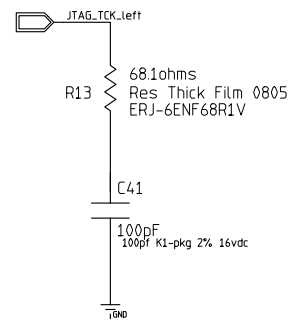
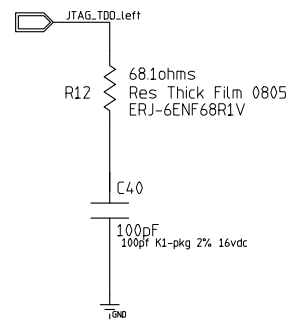
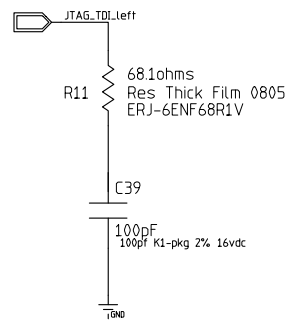
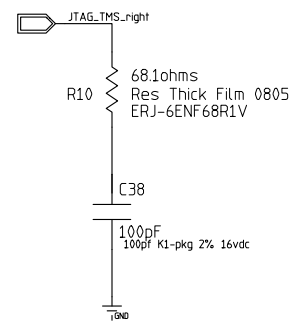
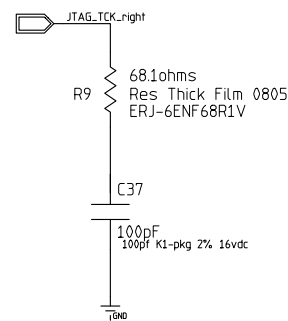
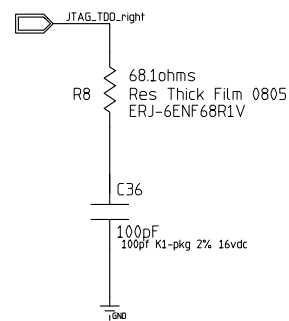
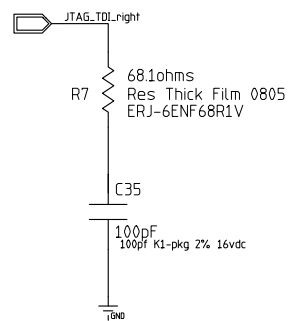
SH.

REV

1

REVISIONS

REV	DESCRIPTION	DATE	APPROVED



CONTRACT NO.			
APPROVALS	DATE		
DRAWN			
CHECKED			
ISSUED		SIZE	FSCM NO.
		D	
		DWG. NO.	REV
		SCALE	SHEET

8

7

6

5

4

3

2

1

8

7

6

5

4

3

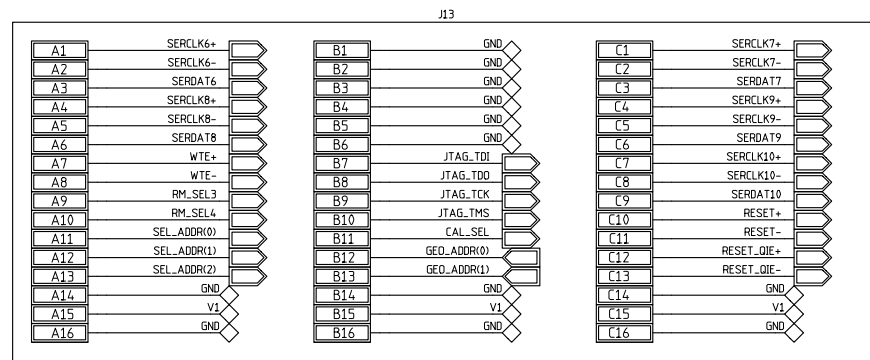
DWG. NO.

SH.

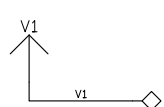
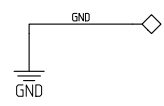
REV.

1

REVISIONS			
REV	DESCRIPTION	DATE	APPROVED



AMP 535034-4  
AMP 535034-4



CONTRACT NO.			
APPROVALS	DATE		
DRAWN			
CHECKED			
ISSUED		SIZE	FSCM NO.
		D	
		DWG. NO.	REV
		SCALE	SHEET

8

7

6

5

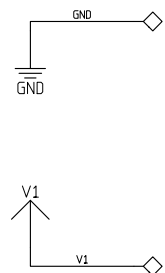
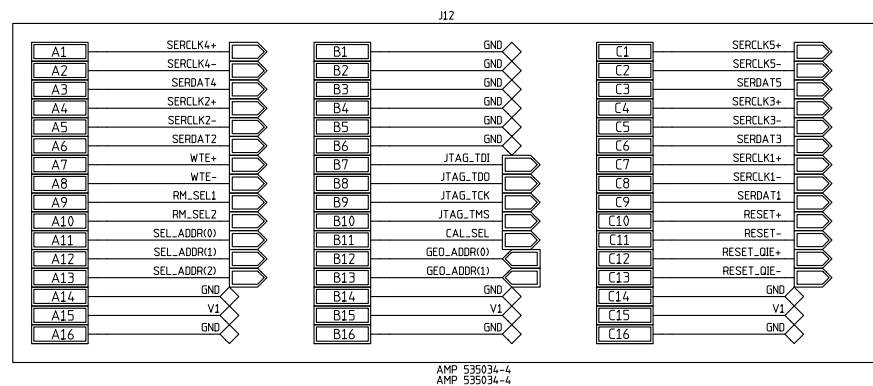
4

3

2

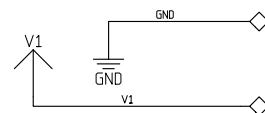
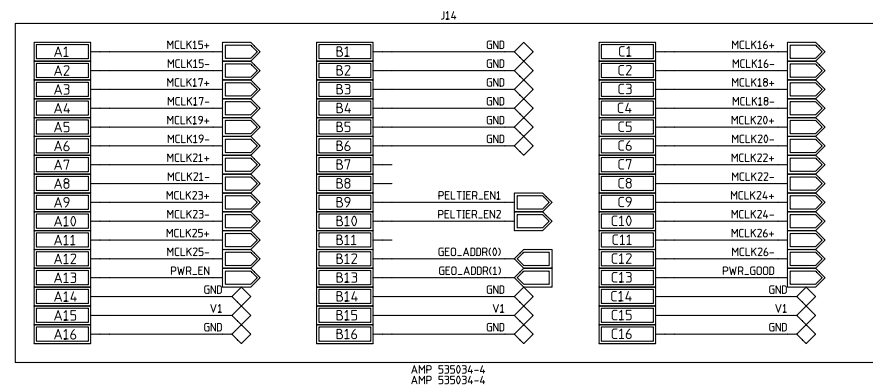
1

REVISIONS			
REV	DESCRIPTION	DATE	APPROVED



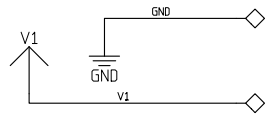
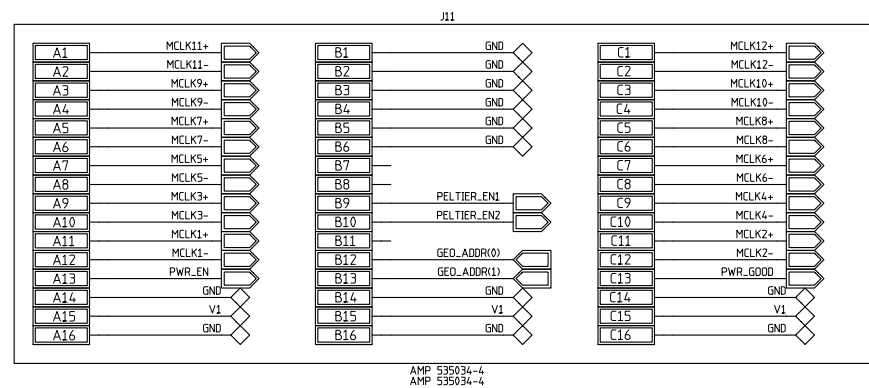
CONTRACT NO.				
APPROVALS	DATE			
DRAWN				
CHECKED				
ISSUED		SIZE	FSCM NO.	DWG. NO.
		D		
		SCALE		SHEET

REVISIONS			
REV	DESCRIPTION	DATE	APPROVED



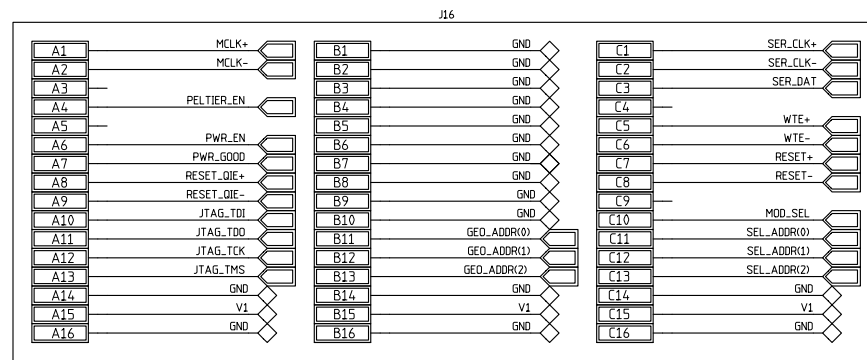
CONTRACT NO.			
APPROVALS	DATE		
DRAWN			
CHECKED			
ISSUED		SIZE	FSCM NO.
		D	
		DWG. NO.	REV
		SCALE	SHEET

REVISIONS			
REV	DESCRIPTION	DATE	APPROVED

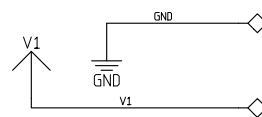


CONTRACT NO.			
APPROVALS	DATE		
DRAWN			
CHECKED			
ISSUED		SIZE	FSCM NO.
		D	
		DWG. NO.	REV
		SCALE	SHEET

REVISIONS			
REV	DESCRIPTION	DATE	APPROVED



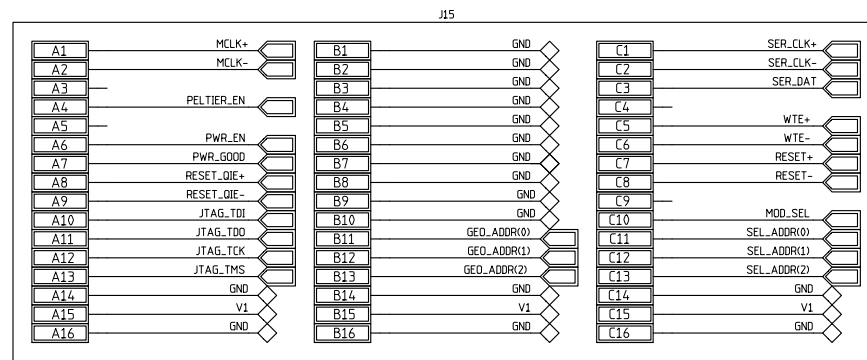
AMP 535034-4  
AMP 535034-4



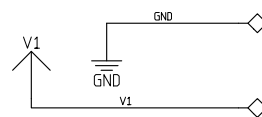
CONTRACT NO.		Fermi National Accelerator Laboratory			
APPROVALS	DATE	US CMS HCAL HB Backplane Readout Card Slot			
DRAWN T. M. Shaw	1/29/01				
CHECKED					
ISSUED		SIZE D	FSCM NO.	DWG. NO.	REV
		SCALE			SHEET



REVISIONS			
REV	DESCRIPTION	DATE	APPROVED



AMP 535034-4  
AMP 535034-4



CONTRACT NO.		Fermi National Accelerator Laboratory			
APPROVALS	DATE	US CMS HCAL HB Backplane Readout Card Slot			
DRAWN T. M. Shaw	1/29/01				
CHECKED					
ISSUED		SIZE D	FSCM NO.	DWG. NO.	REV
		SCALE			SHEET

8

7

6

5

4

3

DWG. NO.

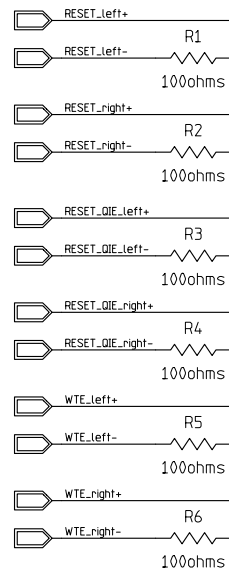
SH.

REV

1

REVISIONS

REV	DESCRIPTION	DATE	APPROVED



D

D

C

C

B

B

A

A

CONTRACT NO.		Fermi National Accelerator Laboratory		
APPROVALS	DATE	US CMS HCAL HB Backplane Clock Terminations		
DRAWN T. M. Shaw	1/29/01			
CHECKED		SIZE	FSCM NO.	DWG. NO.
ISSUED		D		
		SCALE		SHEET

8

7

6

5

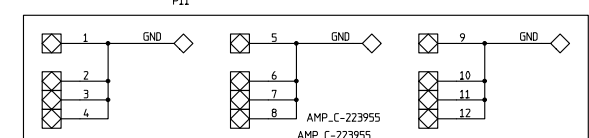
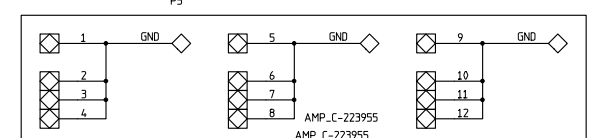
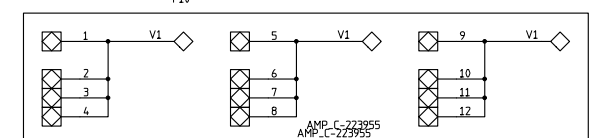
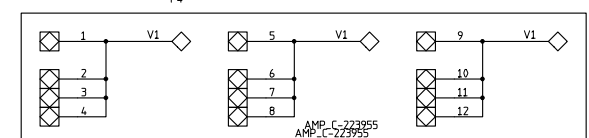
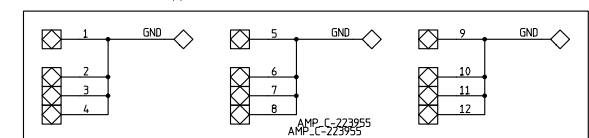
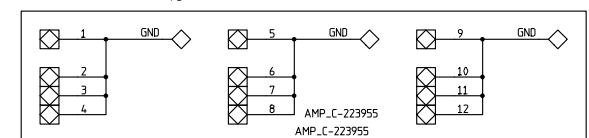
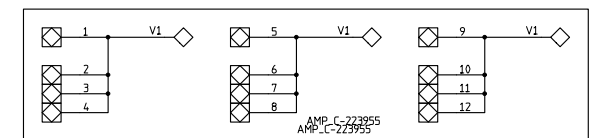
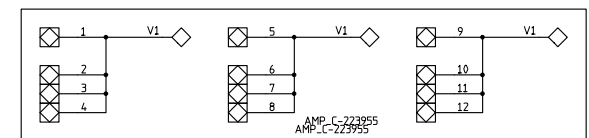
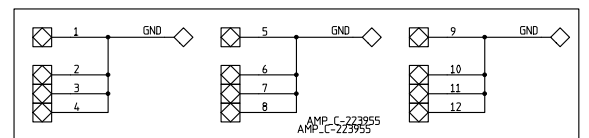
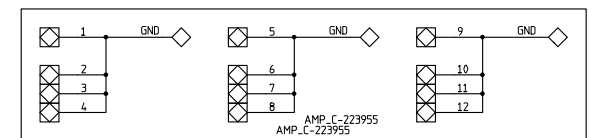
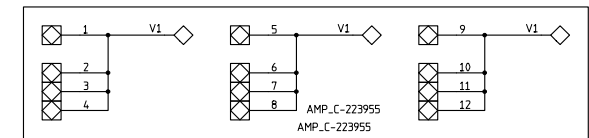
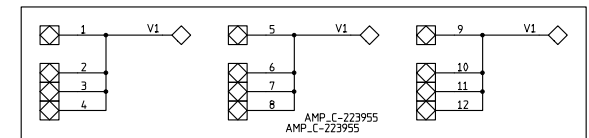
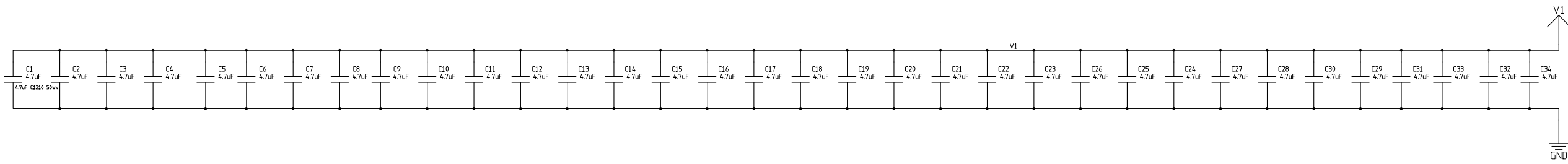
4

3

2

1

REVISIONS			
REV	DESCRIPTION	DATE	APPROVED



CONTRACT NO.		Fermi National Accelerator Laboratory			
APPROVALS	DATE	US CMS HCAL HB Backplane Low Voltage Power Slot			
DRAWN T. M. Shaw	1/29/01				
CHECKED					
ISSUED		SIZE D	FSCM NO.	DWG. NO.	REV
		SCALE	SHEET		

8

7

6

5

4

3

DWG. NO.

SH.

REV.

1

REVISIONS

REV	DESCRIPTION	DATE	APPROVED

D

D

C

C

B

B

A

A

CONTRACT NO.			
APPROVALS	DATE		
DRAWN			
CHECKED			
ISSUED		SIZE	FSCM NO.
		D	
		DWG. NO.	REV
		SCALE	SHEET

8

7

6

5

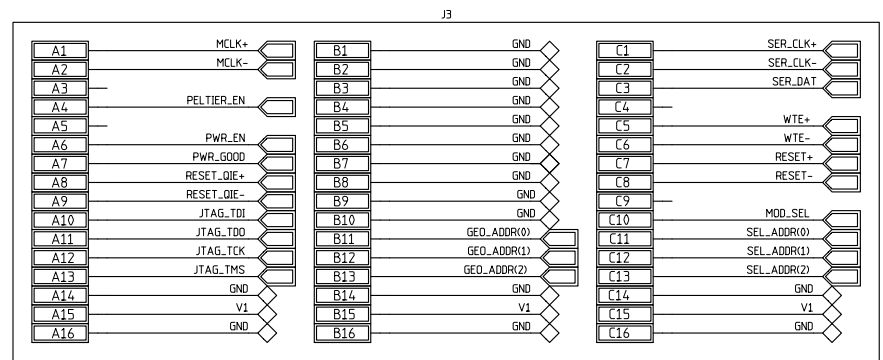
4

3

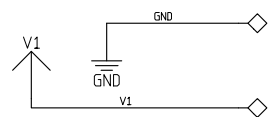
2

1

REVISIONS			
REV	DESCRIPTION	DATE	APPROVED

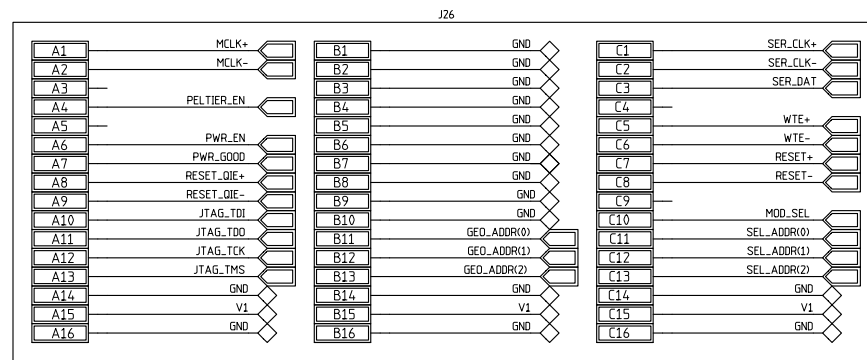


AMP 535034-4  
AMP 535034-4

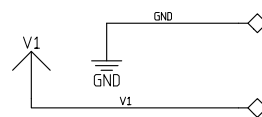


CONTRACT NO.		Fermi National Accelerator Laboratory			
APPROVALS	DATE	US CMS HCAL HB Backplane Readout Card Slot			
DRAWN T. M. Shaw	1/29/01				
CHECKED					
ISSUED		SIZE D	FSCM NO.	DWG. NO.	REV
		SCALE			SHEET

REVISIONS			
REV	DESCRIPTION	DATE	APPROVED

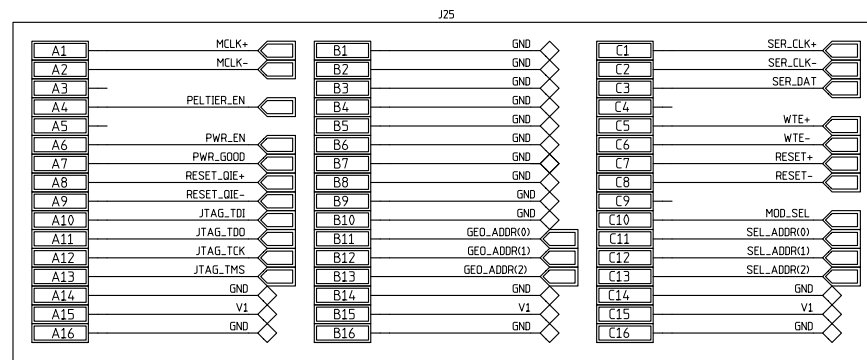


AMP 535034-4  
AMP 535034-4

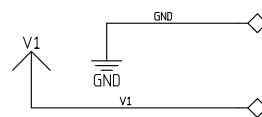


CONTRACT NO.		Fermi National Accelerator Laboratory			
APPROVALS	DATE	US CMS HCAL HB Backplane Readout Card Slot			
DRAWN T. M. Shaw	1/29/01				
CHECKED					
ISSUED		SIZE D	FSCM NO.	DWG. NO.	REV
		SCALE			SHEET

REVISIONS			
REV	DESCRIPTION	DATE	APPROVED

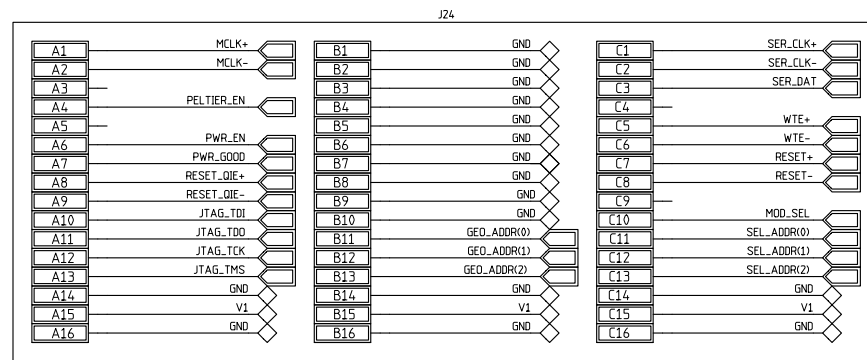


AMP 535034-4  
AMP 535034-4

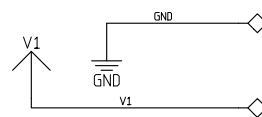


CONTRACT NO.		Fermi National Accelerator Laboratory			
APPROVALS	DATE	US CMS HCAL HB Backplane Readout Card Slot			
DRAWN T. M. Shaw	1/29/01				
CHECKED					
ISSUED		SIZE D	FSCM NO.	DWG. NO.	REV
		SCALE			SHEET

REVISIONS			
REV	DESCRIPTION	DATE	APPROVED



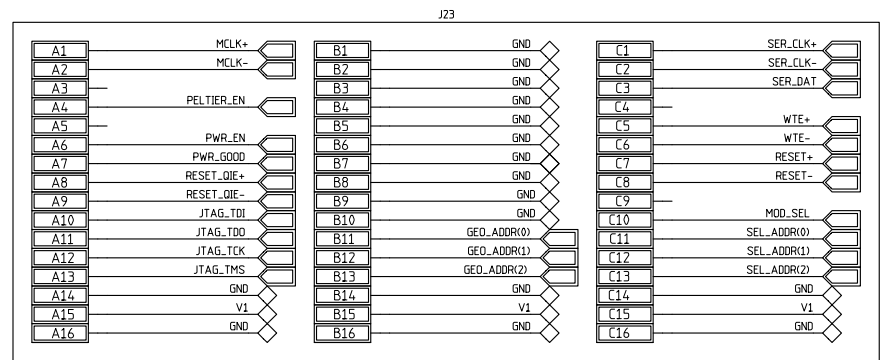
AMP 535034-4  
AMP 535034-4



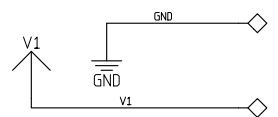
CONTRACT NO.		Fermi National Accelerator Laboratory			
APPROVALS	DATE	US CMS HCAL HB Backplane Readout Card Slot			
DRAWN T. M. Shaw	1/29/01				
CHECKED					
ISSUED		SIZE D	FSCM NO.	DWG. NO.	REV
		SCALE			SHEET



REVISIONS			
REV	DESCRIPTION	DATE	APPROVED

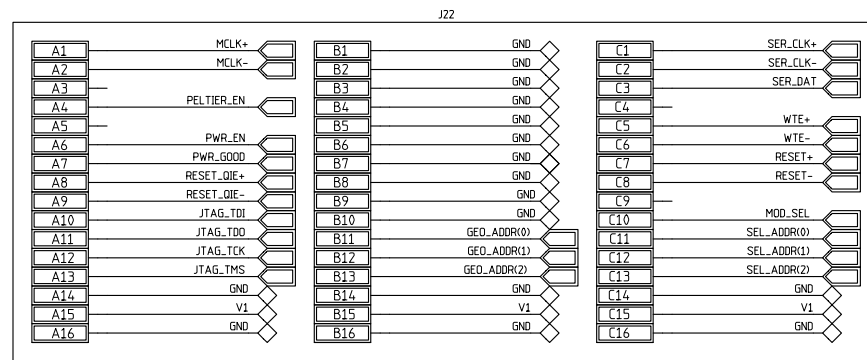


AMP 535034-4  
AMP 535034-4

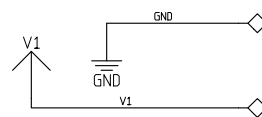


CONTRACT NO.		Fermi National Accelerator Laboratory		
APPROVALS	DATE	US CMS HCAL HB Backplane Readout Card Slot		
DRAWN T. M. Shaw	1/29/01			
CHECKED		SIZE	FSCM NO.	DWG. NO.
ISSUED		D		
		SCALE		SHEET

REVISIONS			
REV	DESCRIPTION	DATE	APPROVED

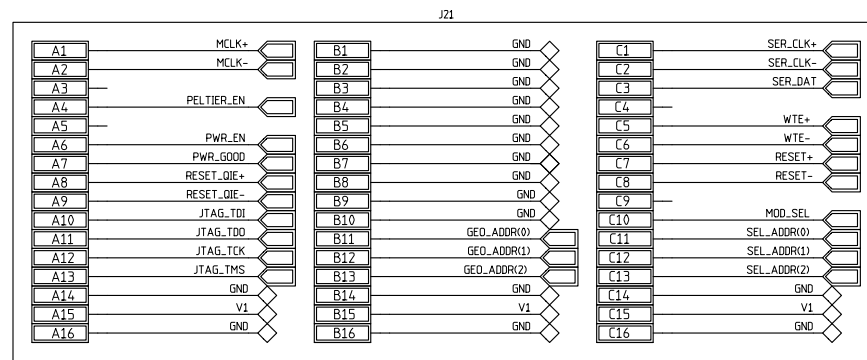


AMP 535034-4  
AMP 535034-4

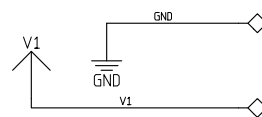


CONTRACT NO.		Fermi National Accelerator Laboratory			
APPROVALS	DATE	US CMS HCAL HB Backplane Readout Card Slot			
DRAWN T. M. Shaw	1/29/01				
CHECKED					
ISSUED		SIZE D	FSCM NO.	DWG. NO.	REV
		SCALE			SHEET

REVISIONS			
REV	DESCRIPTION	DATE	APPROVED

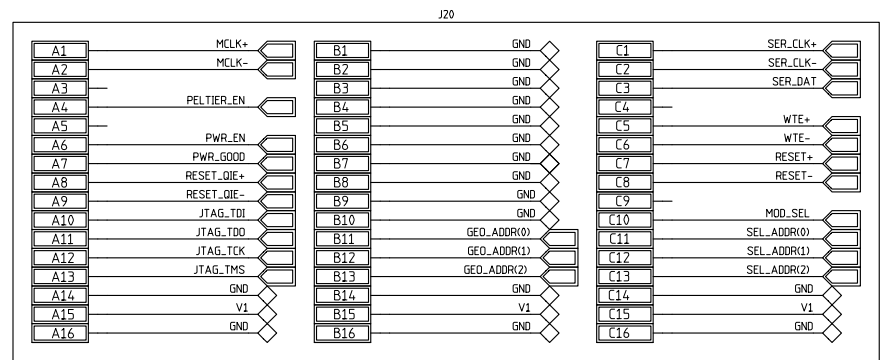


AMP 535034-4  
AMP 535034-4

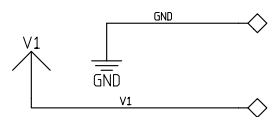


CONTRACT NO.		Fermi National Accelerator Laboratory			
APPROVALS	DATE	US CMS HCAL HB Backplane Readout Card Slot			
DRAWN T. M. Shaw	1/29/01				
CHECKED					
ISSUED		SIZE D	FSCM NO.	DWG. NO.	REV
		SCALE			SHEET

REVISIONS			
REV	DESCRIPTION	DATE	APPROVED



AMP 535034-4  
AMP 535034-4



CONTRACT NO.		Fermi National Accelerator Laboratory			
APPROVALS	DATE	US CMS HCAL HB Backplane Readout Card Slot			
DRAWN T. M. Shaw	1/29/01				
CHECKED					
ISSUED		SIZE D	FSCM NO.	DWG. NO.	REV
		SCALE			SHEET

8

7

6

5

4

3

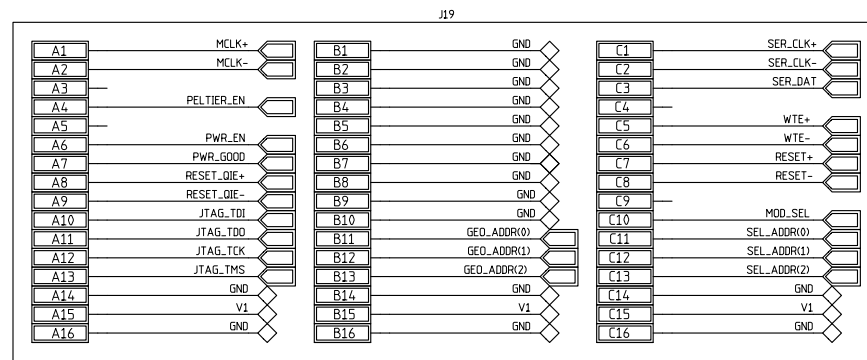
DWG. NO.

SH.

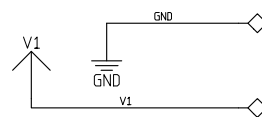
REV

1

REVISIONS			
REV	DESCRIPTION	DATE	APPROVED



AMP 535034-4  
AMP 535034-4



CONTRACT NO.		Fermi National Accelerator Laboratory			
APPROVALS	DATE	US CMS HCAL HB Backplane Readout Card Slot			
DRAWN T. M. Shaw	1/29/01				
CHECKED					
ISSUED		SIZE D	FSCM NO.	DWG. NO.	REV
		SCALE			SHEET

8

7

6

5

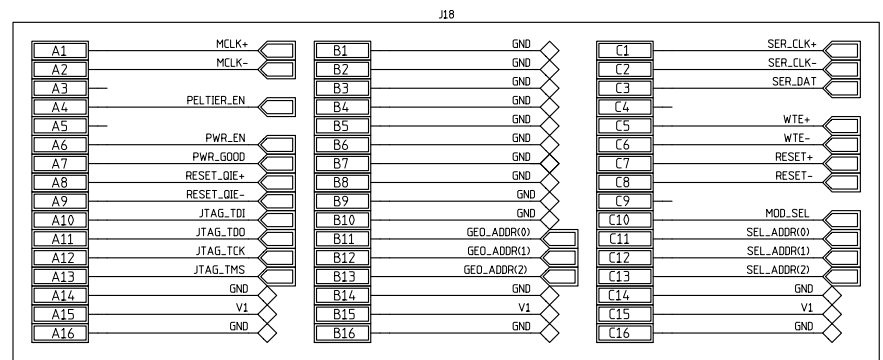
4

3

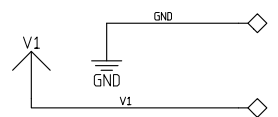
2

1

REVISIONS			
REV	DESCRIPTION	DATE	APPROVED

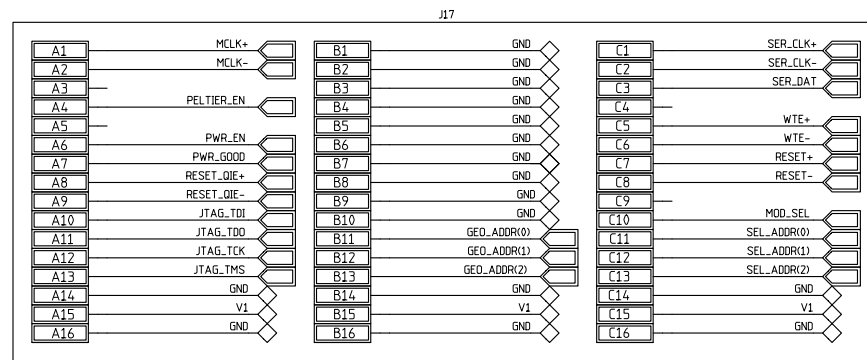


AMP 535034-4  
AMP 535034-4

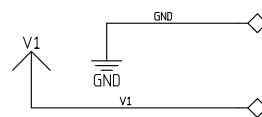


CONTRACT NO.		Fermi National Accelerator Laboratory			
APPROVALS	DATE	US CMS HCAL HB Backplane Readout Card Slot			
DRAWN T. M. Shaw	1/29/01				
CHECKED					
ISSUED		SIZE D	FSCM NO.	DWG. NO.	REV
		SCALE			SHEET

REVISIONS			
REV	DESCRIPTION	DATE	APPROVED



AMP 535034-4  
AMP 535034-4



CONTRACT NO.		Fermi National Accelerator Laboratory			
APPROVALS	DATE	US CMS HCAL HB Backplane Readout Card Slot			
DRAWN T. M. Shaw	1/29/01				
CHECKED					
ISSUED		SIZE D	FSCM NO.	DWG. NO.	REV
		SCALE			SHEET

8

7

6

5

4

3

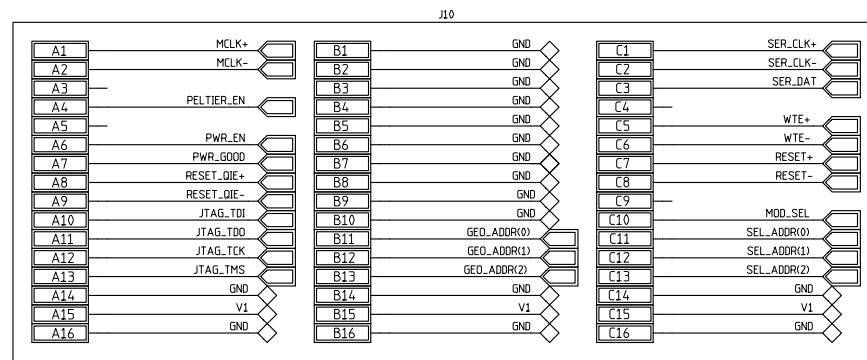
DWG. NO.

SH.

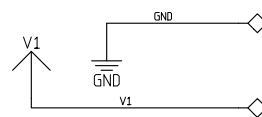
REV

1

REVISIONS			
REV	DESCRIPTION	DATE	APPROVED



AMP 535034-4  
AMP 535034-4



CONTRACT NO.		Fermi National Accelerator Laboratory		
APPROVALS	DATE	US CMS HCAL HB Backplane Readout Card Slot		
DRAWN T. M. Shaw	1/29/01			
CHECKED		SIZE D	FSCM NO.	DWG. NO.
ISSUED		SCALE		REV
				SHEET

8

7

6

5

4

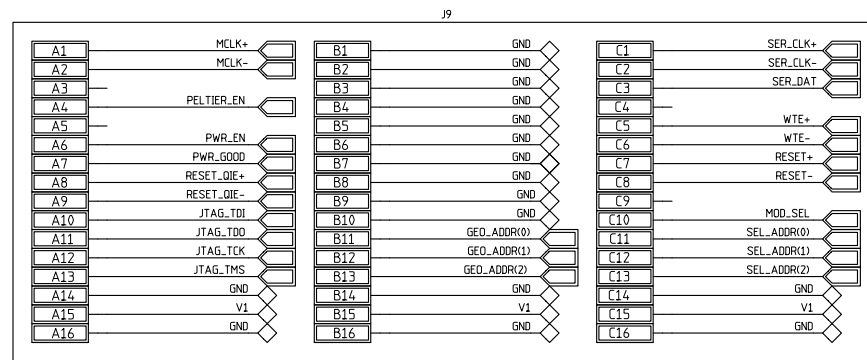
3

2

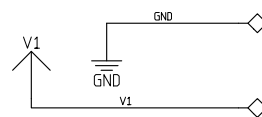
1



REVISIONS			
REV	DESCRIPTION	DATE	APPROVED

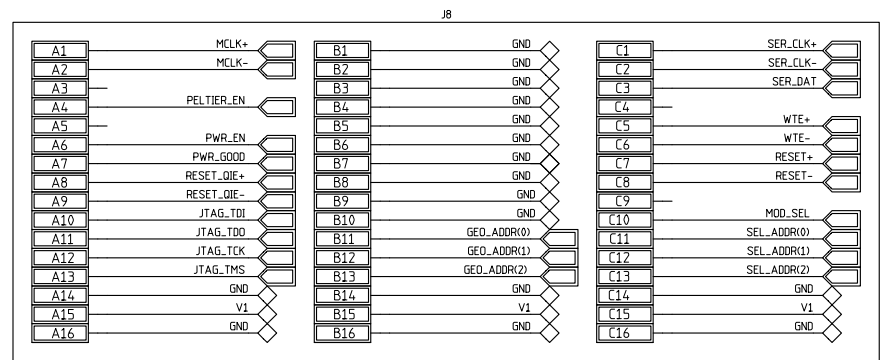


AMP 535034-4  
AMP 535034-4

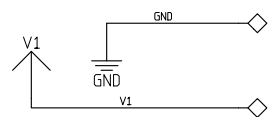


CONTRACT NO.		Fermi National Accelerator Laboratory			
APPROVALS	DATE	US CMS HCAL HB Backplane Readout Card Slot			
DRAWN T. M. Shaw	1/29/01				
CHECKED					
ISSUED		SIZE D	FSCM NO.	DWG. NO.	REV
		SCALE			SHEET

REVISIONS			
REV	DESCRIPTION	DATE	APPROVED

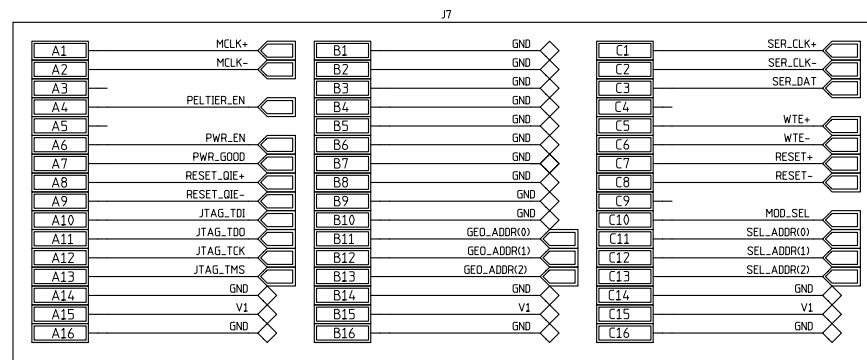


AMP 535034-4  
AMP 535034-4

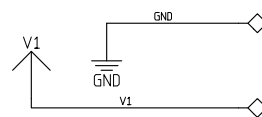


CONTRACT NO.		Fermi National Accelerator Laboratory			
APPROVALS	DATE	US CMS HCAL HB Backplane Readout Card Slot			
DRAWN T. M. Shaw	1/29/01				
CHECKED					
ISSUED		SIZE D	FSCM NO.	DWG. NO.	REV
		SCALE			SHEET

REVISIONS			
REV	DESCRIPTION	DATE	APPROVED

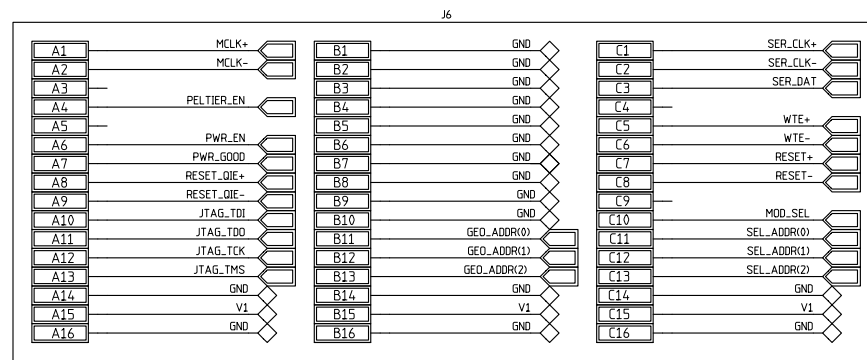


AMP 535034-4  
AMP 535034-4

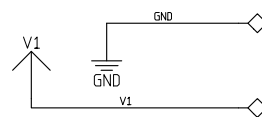


CONTRACT NO.		Fermi National Accelerator Laboratory			
APPROVALS	DATE	US CMS HCAL HB Backplane Readout Card Slot			
DRAWN T. M. Shaw	1/29/01				
CHECKED					
ISSUED		SIZE D	FSCM NO.	DWG. NO.	REV
		SCALE			SHEET

REVISIONS			
REV	DESCRIPTION	DATE	APPROVED

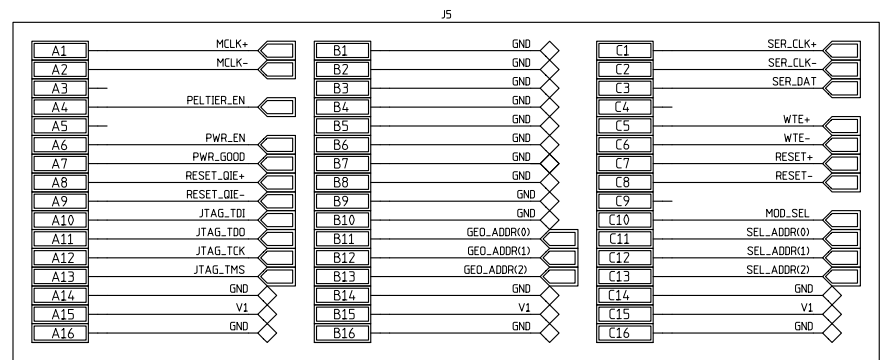


AMP 535034-4  
AMP 535034-4

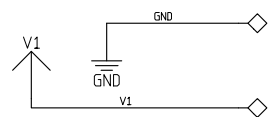


CONTRACT NO.		Fermi National Accelerator Laboratory		
APPROVALS	DATE	US CMS HCAL HB Backplane Readout Card Slot		
DRAWN T. M. Shaw	1/29/01			
CHECKED		SIZE	FSCM NO.	DWG. NO.
ISSUED		D		
		SCALE		SHEET

REVISIONS			
REV	DESCRIPTION	DATE	APPROVED

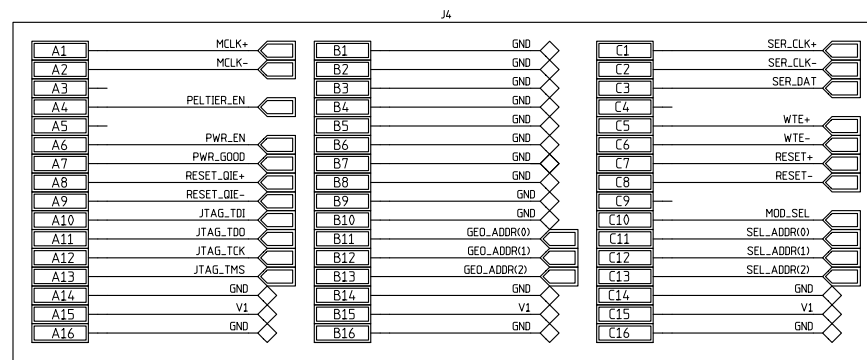


AMP 535034-4  
AMP 535034-4

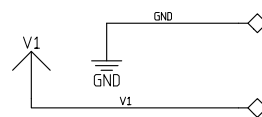


CONTRACT NO.		Fermi National Accelerator Laboratory			
APPROVALS	DATE	US CMS HCAL HB Backplane Readout Card Slot			
DRAWN T. M. Shaw	1/29/01				
CHECKED					
ISSUED		SIZE D	FSCM NO.	DWG. NO.	REV
		SCALE			SHEET

REVISIONS			
REV	DESCRIPTION	DATE	APPROVED

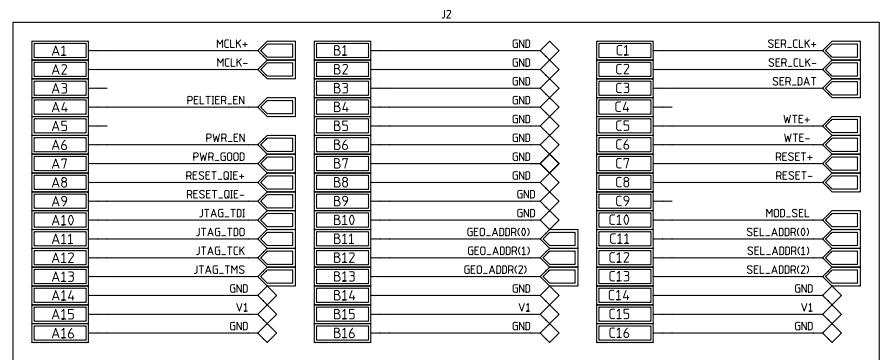


AMP 535034-4  
AMP 535034-4

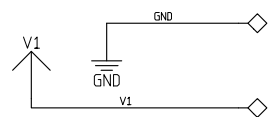


CONTRACT NO.		Fermi National Accelerator Laboratory			
APPROVALS	DATE	US CMS HCAL HB Backplane Readout Card Slot			
DRAWN T. M. Shaw	1/29/01				
CHECKED					
ISSUED		SIZE D	FSCM NO.	DWG. NO.	REV
		SCALE			SHEET

REVISIONS			
REV	DESCRIPTION	DATE	APPROVED

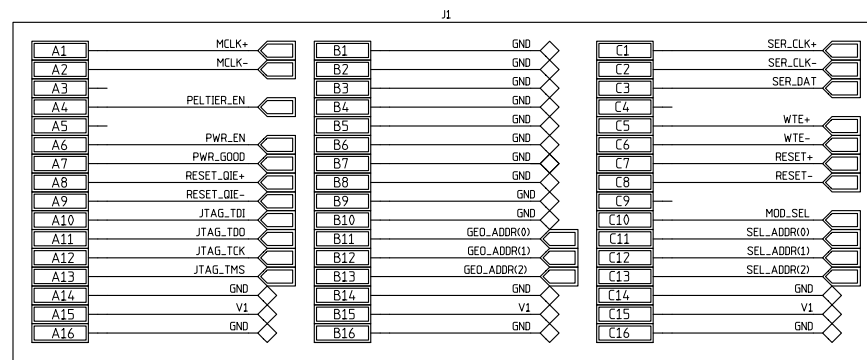


AMP 535034-4  
AMP 535034-4

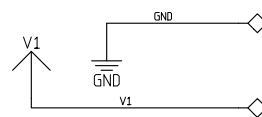


CONTRACT NO.		Fermi National Accelerator Laboratory			
APPROVALS	DATE	US CMS HCAL HB Backplane Readout Card Slot			
DRAWN T. M. Shaw	1/29/01				
CHECKED					
ISSUED		SIZE D	FSCM NO.	DWG. NO.	REV
		SCALE			SHEET

REVISIONS			
REV	DESCRIPTION	DATE	APPROVED



AMP 535034-4  
AMP 535034-4



CONTRACT NO.		Fermi National Accelerator Laboratory			
APPROVALS	DATE	US CMS HCAL HB Backplane Readout Card Slot			
DRAWN T. M. Shaw	1/29/01				
CHECKED					
ISSUED		SIZE D	FSCM NO.	DWG. NO.	REV
		SCALE			SHEET